



# IBM Page Printer Formatting Aid: Command Quick Reference





# IBM Page Printer Formatting Aid: Command Quick Reference

**Note!**

Before using this information and the product it supports, read the information in "Notices" on page 55.

**Ninth Edition (December 2003)**

| This edition applies to Version 4 Release 5 (V4R5) of Page Printer Formatting Aid (PPFA) for iSeries (program  
| number 5798-AF3), Version 1 Release 1 of PPFA for System/390 (program number 5688-190), Version 3 Release 2  
| of PPFA for Infoprint Manager for AIX (program number 5765-E42), Version 1 Release 1 of PPFA for Infoprint  
| Manager for Windows NT and Windows 2000 (program number 5839-I27), and to all subsequent releases of this  
| product until otherwise indicated in new releases or technical newsletters, and replaces the following publication: *IBM*  
| *Page Printer Formatting Aid: Command Quick Reference*, (G544-3701-07).

See the Summary of Changes for the changes made to this publication. Technical changes or additions to the text and illustrations are indicated by a vertical line to the left of the change.

Requests for IBM publications should be made to your IBM representative or to the IBM branch office serving your locality. If you request publications from the address given below, your order will be delayed because publications are not stocked there. Many of the IBM Printing Systems Division publications are available from the web page listed below.

**Internet**

Visit our home page at: <http://www.ibm.com/printers>

A Reader's Comments form is provided at the back of this publication. If the form has been removed, you can send comments by fax to 1-800-524-1519 (USA only) or 1-303-924-6873; by E-mail to [printpub@us.ibm.com](mailto:printpub@us.ibm.com); or by mail to:

IBM Printing Systems Division  
Department H7FE Building 004M  
Information Development  
PO Box 1900  
Boulder CO 80301-9191 USA

IBM may use or distribute whatever information you supply in any way it believes appropriate without incurring any obligation to you.

© Copyright International Business Machines Corporation 1985, 2003. All rights reserved.

US Government Users Restricted Rights – Use, duplication or disclosure restricted by GSA ADP Schedule Contract with IBM Corp.

---

# Contents

<b>Summary of Changes</b> . . . . .	v
<b>Chapter 1. PPFA General Information</b> . . . . .	1
Reading Syntax Diagrams . . . . .	1
Style Rules: . . . . .	1
Symbols: . . . . .	1
Required Parameters: . . . . .	2
Optional Parameters: . . . . .	2
Repeating Parameters: . . . . .	2
Fragment Elements . . . . .	3
Diagram Shorthand . . . . .	3
PPFA Character Set . . . . .	3
Units of Measurement . . . . .	4
PPFA Names . . . . .	4
Non-OCA Object Types . . . . .	5
PPFA Keywords . . . . .	6
PPFA Media Names . . . . .	7
<b>Chapter 2. Form Definition Commands</b> . . . . .	9
Sequence of Commands for Form Definition . . . . .	9
COPYGROUP Command . . . . .	10
FORMDEF Command . . . . .	12
OVERLAY Command . . . . .	15
SETUNITS Command . . . . .	15
SUBGROUP Command . . . . .	15
SUPPRESSION Command . . . . .	15
<b>Chapter 3. Page Definition Commands (Traditional)</b> . . . . .	17
Sequence of Traditional Commands for Page Definitions with Printline . . . . .	17
CONDITION Command (Traditional) . . . . .	18
DEFINE COLOR Command (Traditional) . . . . .	19
DOFONT Command (Traditional) . . . . .	20
ENDSUBPAGE Command (Traditional) . . . . .	20
EXTREF Command (Traditional) . . . . .	20
FIELD Command (Traditional) . . . . .	21
FONT Command (Traditional) . . . . .	23
OBJECT Command (Traditional) . . . . .	24
OVERLAY Command (Traditional) . . . . .	25
PAGEDEF Command (Traditional) . . . . .	25
PAGEFORMAT Command (Traditional) . . . . .	25
PRINTLINE Command (Traditional) . . . . .	26
SEGMENT Command (Traditional) . . . . .	27
SETUNITS Command (Traditional) . . . . .	27
TRCREf Command (Traditional) . . . . .	27
<b>Chapter 4. Page Definition Command Reference (Record Formatting and XML)</b> . . . . .	29
Sequence of Record Format Commands for Page Definitions with Layout . . . . .	29
Sequence of Commands for XML Page Definitions with XLAYOUT . . . . .	30
CONDITION Command (Record Format and XML) . . . . .	31
DEFINE COLOR Command (Record Format and XML) . . . . .	32
DEFINE QTAG Command (XML) . . . . .	32
DOFONT Command (Record Format and XML) . . . . .	33
DRAWGRAPHIC - BOX Command (Record Format and XML) . . . . .	34

DRAWGRAPHIC - LINE Command (Record Format and XML)	35
DRAWGRAPHIC - CIRCLE Command (Record Format and XML)	36
DRAWGRAPHIC - ELLIPSE Command (Record Format and XML)	37
ENDGRAPHIC Command (Record Format and XML)	38
I EXTREF Command (Record Format and XML)	38
FIELD Command (Record Format)	39
FIELD Command (XML)	42
FONT Command (Record Format)	45
FONT Command (XML)	45
LAYOUT Command (Record Format)	46
OBJECT Command (Record Format and XML)	47
OVERLAY Command (Record Format and XML)	48
PAGEDEF Command (Record Format and XML)	49
PAGEFORMAT Command (Record Format and XML)	50
SEGMENT Command (Record Format and XML)	51
SETUNITS Command (Record Format and XML)	51
XLAYOUT Command (XML)	52
<b>Notices</b>	55
Programming Interfaces	56
Trademarks	56

---

## Summary of Changes

This publication contains additions and changes to information previously presented in *IBM Page Printer Formatting Aid: Command Quick Reference*, G544-3701-07.

The following information is new or updated:

- Chapter 2, “Form Definition Commands,” on page 9 has the following changes:
  - Support for the new **form-size** parameters (**XMSIZE** and **YMSIZE**) has been added to “COPYGROUP Command” on page 10.
  - Support for the new **COMPATPGP1** and **form-size** parameters has been added to “FORMDEF Command” on page 12.
- Chapter 3, “Page Definition Commands (Traditional),” on page 17 has the following changes:
  - Support for the new “DOFONT Command (Traditional)” on page 20.
  - Support for the new “EXTREF Command (Traditional)” on page 20.
  - Support for two new barcodes (2DQRCODE and CODE93) has been added to “FIELD Command (Traditional)” on page 21.
  - Support for new values to the **OBXNAME**, **OB2RESOURCE**, and **OB2XNAME** parameters has been added to “OBJECT Command (Traditional)” on page 24.
  - Support for new **PreRip** parameters has been added to “OBJECT Command (Traditional)” on page 24.
  - Support for new **PreRip** parameters has been added to “OVERLAY Command (Traditional)” on page 25.
  - Support for new **SOSIFONTS** parameter has been added to “PAGEDEF Command (Traditional)” on page 25.
  - Support for new **SOSIFONTS** parameter has been added to “PAGEFORMAT Command (Traditional)” on page 25.
- Chapter 4, “Page Definition Command Reference (Record Formatting and XML),” on page 29 has the following changes:
  - Support for new **PAGE** parameter has been added to “CONDITION Command (Record Format and XML)” on page 31.
  - Support for the new “EXTREF Command (Record Format and XML)” on page 38.
  - Support for two new barcodes (2DQRCODE and CODE93) has been added to “FIELD Command (Record Format)” on page 39.
  - Support for two new barcodes (2DQRCODE and CODE93) has been added to “FIELD Command (XML)” on page 42.
  - Support for new values to the **OBXNAME**, **OB2RESOURCE**, and **OB2XNAME** parameters has been added to “OBJECT Command (Record Format and XML)” on page 47.
  - Support for new **PreRip** parameters has been added to “OBJECT Command (Record Format and XML)” on page 47.
  - Support for new **PreRip** parameters has been added to “OVERLAY Command (Record Format and XML)” on page 48.
  - Support for new **SOSIFONTS** parameter has been added to “PAGEDEF Command (Record Format and XML)” on page 49.
  - Support for new **SOSIFONTS** parameter has been added to “PAGEFORMAT Command (Record Format and XML)” on page 50.





---

## Chapter 1. PPFA General Information

This quick reference is intended to provide you with general information about Page Printer Formatting Aid (PPFA). It contains information on program invocation, symbolic information, syntax rules, and the command syntax for the PPFA commands.

PPFA is an IBM licensed program (Program Number 5688-190) that enables users of IBM's Advanced Function Presentation (AFP) products to create their own formatting resources, called form definitions and page definitions.

PPFA is a cross system product that operates under:

- AIX (Advanced Interactive Executive)
- MVS (Multiple Virtual Storage)
- OS/400 (Operating System 400)
- VM (Virtual Machine)
- VSE (Virtual Storage Extended)

For system dependencies, see *PPFA: User's Guide* (S544-5284).

---

### Reading Syntax Diagrams

The syntax for PPFA commands is shown using graphic notation. To read the diagrams, move from left to right and top to bottom, following the main path line.

#### Style Rules:

Syntax diagrams use the following style rules to show how to enter commands and parameters:

- A word in uppercase must be spelled exactly as shown, but may be coded in any case. For example in coding, FORMDEF or FormDef or formdef are equivalent.
- A word in all italic, lowercase letters shows a parameter that you can replace. For example:  
*name*  
shows that you replace *name* with a resource name that is retained in the library.
- A parameter above the line shows the default parameter. For example, **SBCS** is the default parameter in the syntax diagram for the **FONT** command:



#### Symbols:

Syntax diagrams use symbols to help you follow the flow of information they communicate:

- Statements begin with:  
▶▶
- and end with:  
→◀
- Statements longer than one line continue to a second line with:  
→
- Where they resume with:  
▶

## General Information

### Required Parameters:

A parameter that you must include is displayed on the main path line. For example, the syntax diagram for the **SEGMENT** command:

▶▶—SEGMENT—*name*—;

shows that you must follow **SEGMENT** with its required parameter.

If there are two or more required parameters from which to choose, the parameters are shown with the first choice on the main path line and the other choices on branch lines under it. For example, the partial syntax diagram for the **DIRECTION** Command:

▶▶—DIRECTION—

ACROSS
DOWN
BACK
UP

shows that you must type the command in any of the following ways:

- **DIRECTION ACROSS**
- **DIRECTION DOWN**
- **DIRECTION BACK**
- **DIRECTION UP**

### Optional Parameters:

Parameters that you can include with a command are displayed on the branch line below the main path line. For example, the partial syntax diagram for the **COPYGROUP** command:

▶▶—COPYGROUP—*name*

CUTSHEET - NO
CUTSHEET - YES

shows you can type the command in one of these ways:

- **COPYGROUP *name1* CUTSHEET YES ;**
- **COPYGROUP *name1* CUTSHEET NO ;**

Branch lines can include branch lines of their own. An example of this is the partial syntax diagram for the **SUBGROUP** command with the optional **BIN** parameter:

▶▶—SUBGROUP—

BIN—1
BIN— <i>n</i>
MANUAL
ENVELOPE

### Repeating Parameters:

An arrow on a line above a parameter means that you can either repeat the parameter or enter more than one of the listed parameters. An example of this is the partial syntax diagram for the **SUPPRESSION** subcommand in the **SUBGROUP** Command:

▶▶—SUPPRESSION—

<i>name</i>
-------------

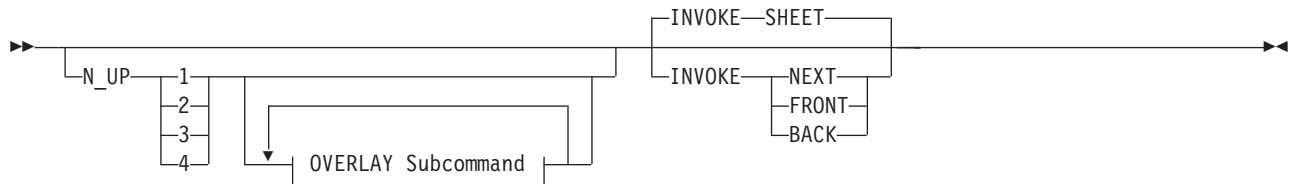
The arrow above *name* means you can include one or more field name parameters with the **SUPPRESSION** command.

## Fragment Elements

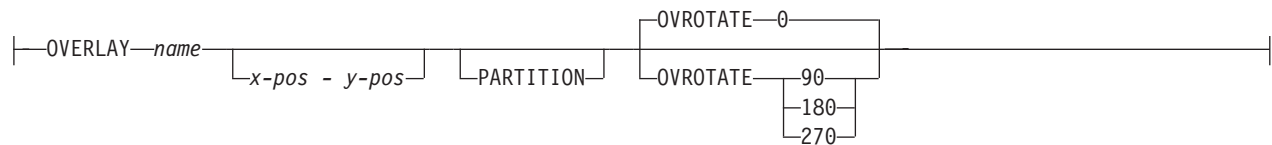
A syntax diagram can contain a section that either has too many items or groups to fit in the diagram or is used more than once. This section can be presented as a “fragment”, and given a label that corresponds to the section within the main diagram. An example of this is the syntax diagram for the **FORMDEF** subcommand with its fragmented **OVERLAY** subcommand shown below:

**Note:** This **FORMDEF** diagram example also displays examples of some of the parameters mentioned above.

### FORMDEF



### OVERLAY Subcommand:




---

## Diagram Shorthand

These terms are used in the command definitions:

*x-pos* Term means a horizontal position using a numeric number followed optionally by a unit. For the available units of measurement, see page Table 1 on page 4.

*y-pos* Term means a vertical position using a numeric number followed optionally by a unit. For the available units of measurement, see page Table 1 on page 4.

---

## PPFA Character Set

### Alphabetical Characters

ABCDEFGHIJKLMNOPQRSTUVWXYZ  
 abcdefghijklmnopqrstuvwxyz  
 # @ \$

### Numeric Characters

0 1 2 3 4 5 6 7 8 9

### Special Characters

. ( + \* ) - % ' = ; / &

## General Information

### Delimiters

/* */	begin and end comment
;	end command
' '	begin and end for SBCS literals
'SO SI'	begin and end for DBCS literals

---

## Units of Measurement

Table 1. Units of Measurement

IN	inches
MM	millimeters
CM	centimeters
POINTS	points
PELS	picture elements (normally, there are 240 PELS to the inch)
LPI	lines-per-inch (vertical only)
CPI	characters-per-inch (horizontal only)

---

## PPFA Names

Number of alphanumeric characters in PPFA names:

Table 2. Character Length for PPFA Names

Type of Name	Number of Characters Allowed
Form Definition	
<b>COPYGROUP</b>	1–8
<b>FORMDEF</b>	1–6
<b>OVERLAY</b> (local name)	1–16
<b>OVERLAY</b> (user-access name)	1–6
<b>SUPPRESSION</b>	1–8
Page Definition	
<b>BARCODE</b>	1–8
<b>CONDITION</b>	1–8
<b>DEFINE COLOR</b>	1–10
<b>FONT</b> (local name)	1–16
<b>FONT</b> (user-access name)	1–6
<b>OBJECT</b> (local-name)	1–16
<b>OBJECT</b> (external name z/OS file system)	1–8
<b>OBJECT</b> (external name)2	1–250
Secondary <b>OBJECT</b> (internal name)2	1–250
Secondary <b>OBJECT</b> (external name)2	1–250
<b>OVERLAY</b>	1–6
<b>PAGEDEF</b>	1–6
<b>PAGEFORMAT</b>	1–8
<b>SEGMENT</b>	1–6

Table 2. Character Length for PPFA Names (continued)

Type of Name	Number of Characters Allowed
<b>Notes:</b>	
1. The <i>name</i> can consist of the characters shown under the “Alphabetic Characters” and the “Numeric Characters” in “PPFA Character Set” on page 3. A <i>local name</i> identifies a font or an overlay only within a set of PPFA commands. A <i>user-access</i> name is the name the operating system uses to find the data. PPFA adds the appropriate prefix to the user-access name (for example, F1 for form definitions, P1 for page definitions, and O1 for overlays) to match the library resource name.	
2. This name is further restricted to 250 bytes. For data type UTF-16 this is a maximum of 125 characters or less if surrogate characters are required.	

## Non-OCA Object Types

The following is a listing of the Non-OCA Object Types supported by IOB type names, component identifiers, and a description of OBID object types.

Table 3. Non—OCA Objects supported by IOB.

Type-Name	Component-id	Description of OBID Object Type
EPS	13	Encapsulated PostScript
TIFF	14	Tag Image File Format
WINDIB	17	Device Dependent Bit Map [DIB], Windows Version
OS2DIB	18	Device Dependent Bit Map [DIB], OS2 PM Version
PCX	19	Paintbrush Picture File Format
GIF	22	Graphics Interchange Format
JFIF	23	JPEG file Interchange Format
PCLPO	34	PCL Page Object
PDFSPO	25	PDF Single Page Object
EPSTR	48	EPS with Transparency
PDFSPOTR	49	PDF Single Page Object with Transparency

Table 4. Object Types that can be referenced as Secondary Resources

Type-Name	Component-id	Description of OID Type-Name
PDFRO	26	PDF Resource Object (new)
RESCLRPRO	46	Resident Color Profile Resource Object
IOCAFS45RO	47	UICA FS45 Resource Object Tile (new)

## General Information

### PPFA Keywords

A keyword is a word in PPFA that must be entered exactly as shown. Keywords cannot be used as second names for commands (like **FONT** and **OVERLAY**) which can have 2 positional parameters as names. This is less restrictive than prior versions of PPFA.

**Note:** When keywords are longer than five characters, they may be abbreviated to the first five characters. The shorthand form of the keyword must also be avoided as a name. For example, since **PAGEH** and **CONDI** are 5 character forms for **PAGEHEADER** and **CONDITION**, they cannot be used as second names.

ABSOLUTE	CUTSHEET	HRIFONT	OCA	REPEAT
ACROSS	CVERROR	INVOKE	OFFSET	REPLACE
ADJUST	DBCS	JOG	OPCOUNT	RES
AFIELD	DEFINE	LAYOUT	OPERATION	RESOLUTION
ALIGN	DELIMITER	LENGTH	OPOFFSET	RGB
AXIS1	DIRECTION	LINE	OPPOS	ROTATION
AXIS2	DOWN	LINEONE	OTHERWISE	SBCS
BACK	DOFONT	LINESP	OUTBIN	SCOPE
BARCODE	DRAWGRAPHIC	LINETYPE	OVERLAY	SEGMENT
BCCOLOR	DUPLEX	LINEWT	OVROTATE	SETUNITS
BCXPAMS	ELLIPSE	MEDIUM	PAGECOUNT	SOSIFONT
BIN	ENDGRAPHIC	METRICTECHNOLOGY	PAGEDEF	SPACE_THEN_PRINT
BINERROR	ENDSPACE	METTECH	PAGEFORMAT	SSASTERISK
BODY	ENDSUBPAGE	MOD	PAGEHEADER	START
BOTH	EXTREF	MODWIDTH	PAGENUM	SUBGROUP
BOX	FIELD	N	PAGETRAILER	SUPPBLANKS
BOXSIZE	FILL	N_UP	PARTITION	SUPPRESSION
CHANNEL	FINISH	NEWPAGE	PLACE	TEXT
CIELAB	FLASH	NOGROUP	POSITION	TEXTERROR
CIRCLE	FLDNUM	NOPRELOAD	PRELOAD	TO
CLRTRAP	FONT	NORASTER	PRESENT	TONERSAVER
CMYK	FONTFID	OBID	PRINTDATA	TRCREF
COLOR	FORMDEF	OBJECT	PRINTLINE	TYPE
COLORVALUERR	FRONT	OBKEEP	PROCESSING	UDTYPE
COMMENT	GRAPHID	OBNOKEEP	QUALITY	WHEN
CONDITION	GRID	OBTYPE	RADIUS	WIDTH
CONSTANT	GROUP	OBXNAME	RASTER	XATTR
COPIES	GRPHEADER	OB2ID	RATIO	XLAYOUT
COPY	HEIGHT	OB2RESOURCE	RECID	XMSIZE
COPYGROUP	HILITE	OB2TYPE	REFERENCE	XSPACE
CP	HRI	OB2XNAME	RELATIVE	YMSIZE
CS				

## PPFA Media Names

This table lists the PPFA media names, media types, and component identifiers.

Table 5. Registered Media Types Sorted By Media Name

Media Name	Media Type	Component ID
BSNS ENV	North American business envelope	143
COM 10 ENV	Com10 envelope (9.5 x 4.125 in)	75
C5 ENV	C5 envelope (229 x 110 mm)	79
DL ENV	DL envelope (220 x 110 mm)	77
EXEC	North American executive (7.25 x 10.5 in)	65
INDEX CD	Index Card	150
ISO A3	ISO A3 white (297 x 420 mm)	10
ISO A3 CO	ISO A3 colored	11
ISO A4	ISO A4 white (210 x 297 mm)	0
ISO A4 CO	ISO A4 colored	1
ISO A4 TAB	ISO A4 tab (225 x 297 mm)	7
ISO A4 THD	ISO 1/3 A4	5
ISO A4 TR	ISO A4 transparent	2
ISO A5	ISO A5 white (148.5 x 210 mm)	20
ISO A5 CO	ISO A5 colored	21
ISO A6 PC	ISO A6 Postcard	152
ISO B4	ISO B4 white (257 x 364 mm)	30
ISO B4 CO	ISO B4 colored	31
ISO B4 ENV	ISO B4 envelope	83
ISO B5	ISO B5 white (176 x 250 mm)	40
ISO B5 CO	ISO B5 colored	41
ISO B5 ENV	ISO B5 envelope	73
ISO C4 ENV	ISO C4 envelope	93
ISO C5 ENV	ISO C5 envelope	103
ISO LNG ENV	ISO long envelope	113
JIS B4	JIS B4 (257 x 364 mm)	42
JIS B5	JIS B5 (182 x 257 mm)	43
JP PC	Japan postcard (Hagaki) (100 x 148 mm)	81
JP PC ENV	Japan postcard envelope (200 x 150 mm)	80
LEDGER	North American ledger (11 x 17 in)	67
LEGAL	North American legal white (8.5 x 14 in)	60
LEGAL CO	North American legal colored	61
LEGAL TAB	Legal tab (9 x 14 in)	146
LEGAL 13	North American legal 13 (Folio) (8.5 x 14 in)	63
LETTER	North American letter white (8.5 x 11 in)	50
LETTER CO	North American letter colored	51
LETTER TAB	Letter tab (9 x 11 in)	145

## General Information

Table 5. Registered Media Types Sorted By Media Name (continued)

Media Name	Media Type	Component ID
LETTER TR	North American letter transparent	52
MON ENV	Monarch envelope (7.5 x 3.875 in)	76
RA3	Oversize A3 (16.923 x 12.007 in)	153
RA4	Oversize A4 (8.465 x 12.007 in)	162
STATEMNT	North American statement (5.5 x 8.5 in)	69
US PC	US Postcard	151
9x12 ENV	North American 9 x 12 envelope	133
10x13 ENV	North American 10 x 13 envelope	123
9x12 MAN	Manual (9 x 12 in)	147
8x10 MED	Media (8 x 10 in)	160
8x10.5 MED	Media (8 x 10.5 in)	148
8.5x10 MED	Media (8.5 x 10 in)	157
9x14 MED	Media (9 x 14 in)	149
12x18 MED	Media (12 x 18 in)	155
14x17 MED	Media (14 x 17 in)	154
14x18 MED	Media (14 x 18 in)	156



---

## Chapter 2. Form Definition Commands

A PPFA command stream can contain form-definition commands. A *form definition* specifies how the printer controls the processing of the physical sheets of paper. In a form definition, you can specify modifications that distinguish formatting one print job from another when both are derived from the same data. Form definitions are used for all PSF print files regardless of data type.

This section includes:

- Sequence of commands for form definitions
- Commands listed alphabetically
- Syntax diagram for each command.

---

### Sequence of Commands for Form Definition

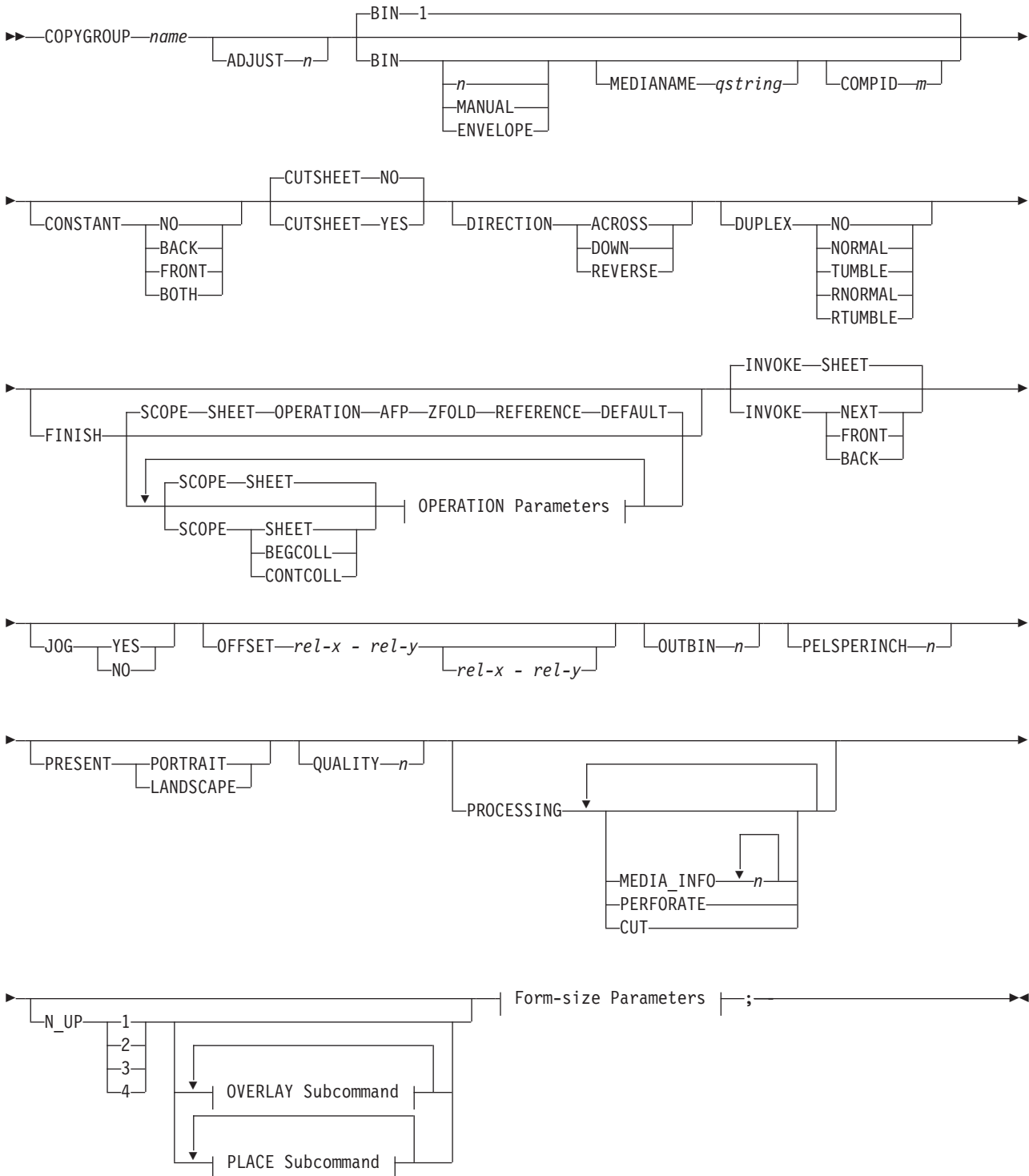
This section lists the required order of form definition commands.

```
[SETUNITS ]  
FORMDEF  
[SUPPRESSION ...]  
[COPYGROUP ]  
  [OVERLAY ...]  
  [SUBGROUP ...]  
[COPYGROUP ]  
  [OVERLAY ...]  
  [SUBGROUP ...]
```

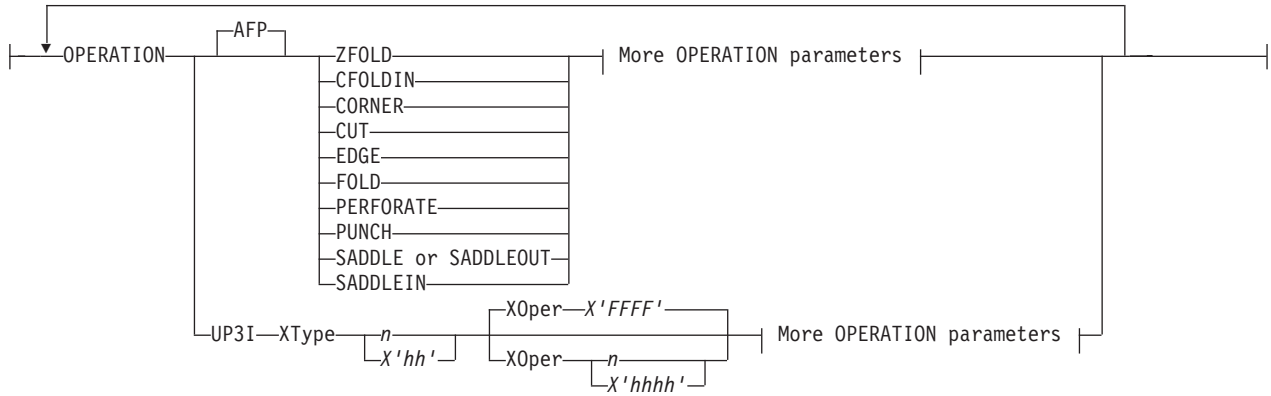
**Note:** If the form definition has only one copy group, the **COPYGROUP** command can be omitted. The **OVERLAY** command then follows any **SUPPRESSION** command.

# COPYGROUP Command

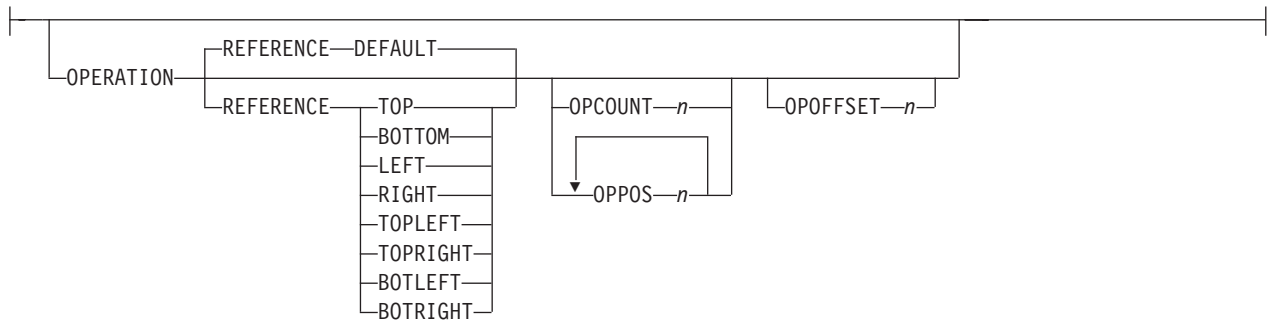
## COPYGROUP Command



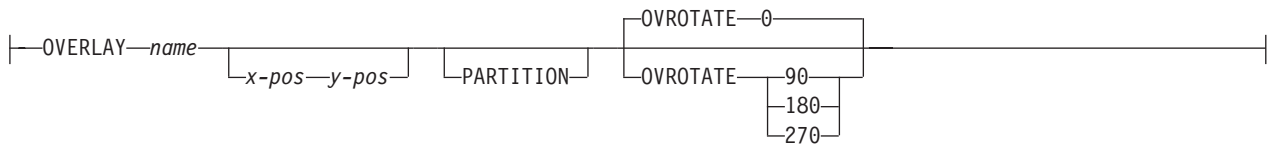
### OPERATION Parameters:



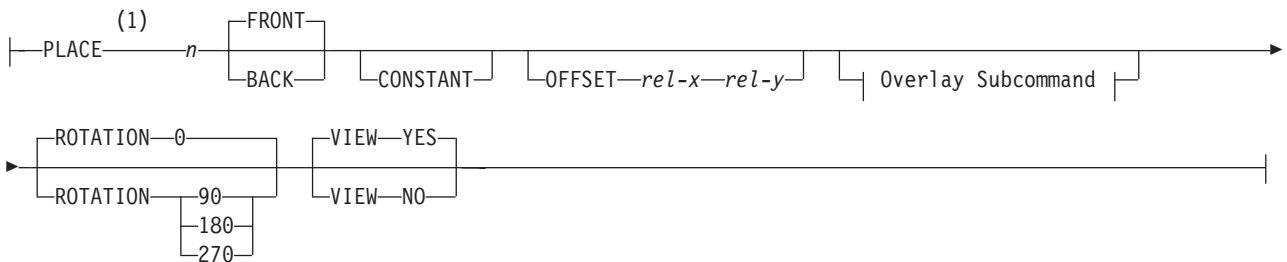
**More OPERATION Parameters:**



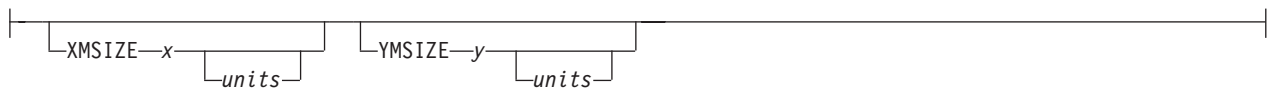
**OVERLAY Subcommand:**



**PLACE Subcommand:**



**Form-size Parameters:**



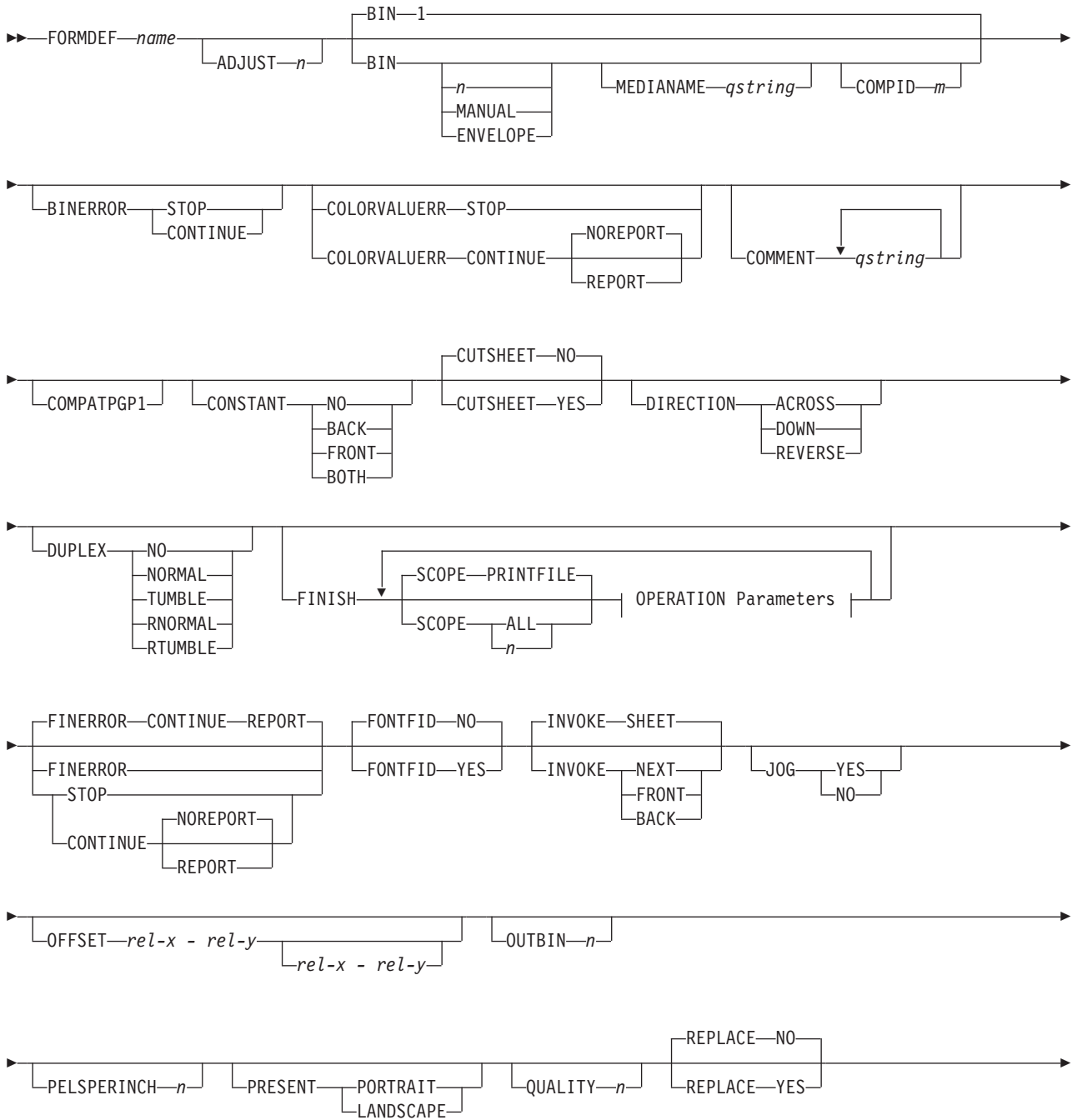
**Notes:**

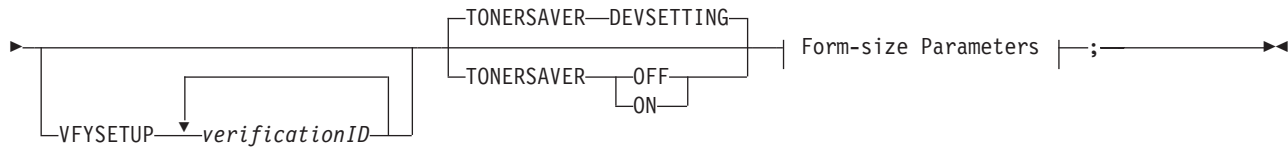
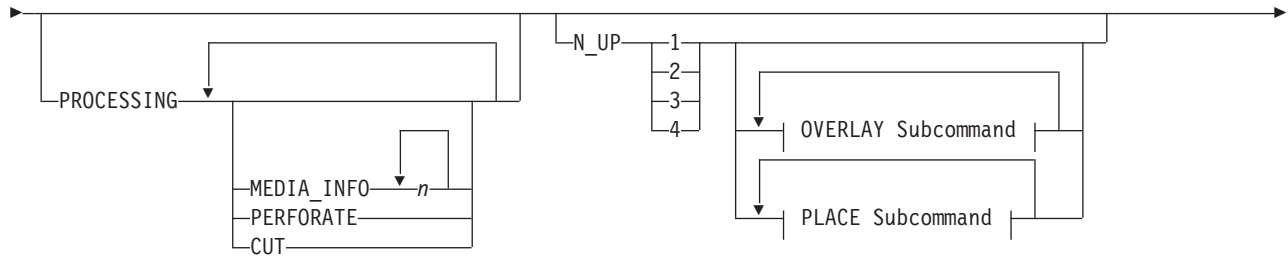
- 1 The use of the **PLACE** subcommand indicates enhanced **N\_UP** printing.

## Form Definition Commands

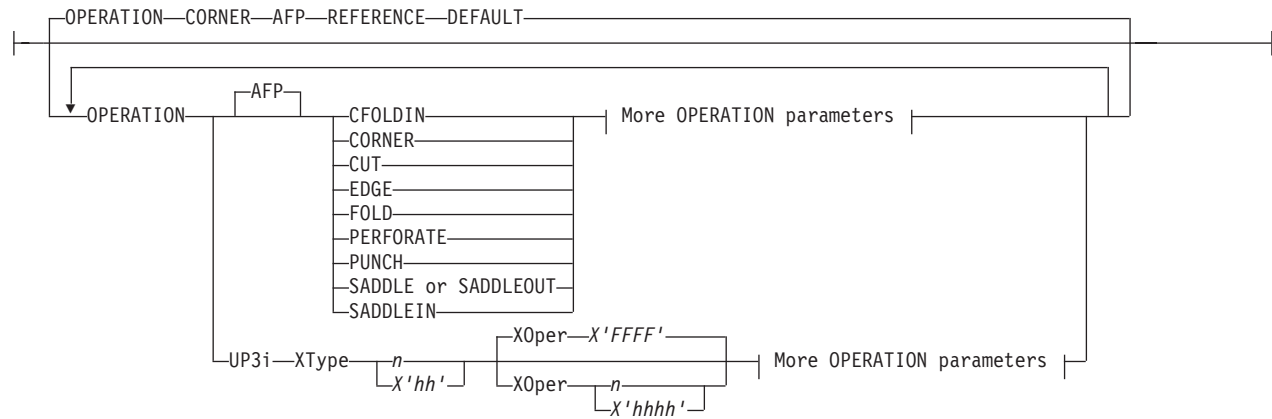
### FORMDEF Command

#### FORMDEF Command

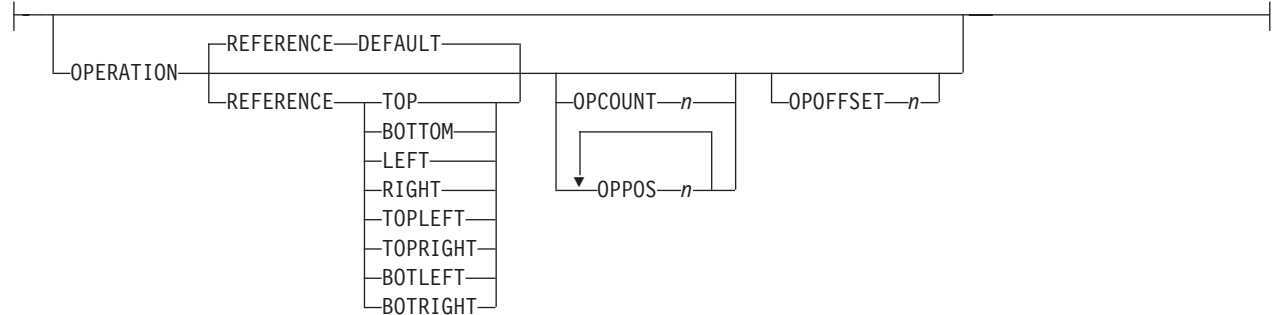




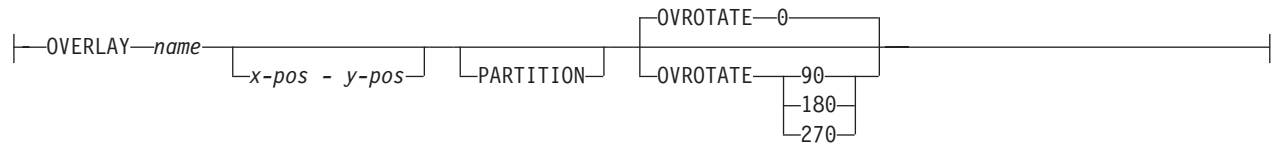
**OPERATION Parameters:**



**More OPERATION Parameters:**

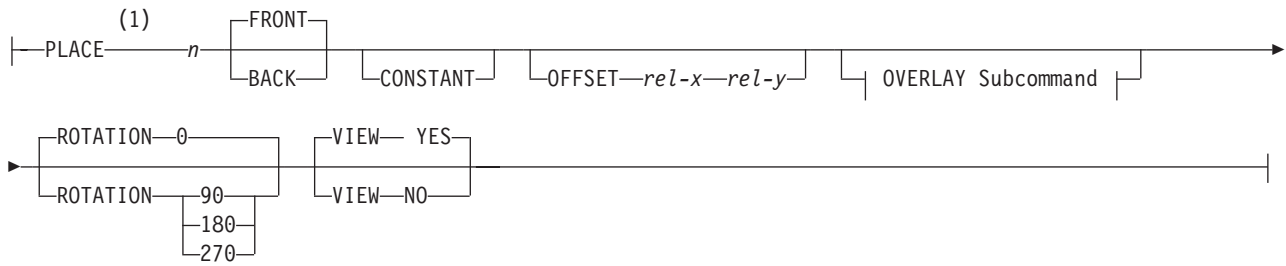


**OVERLAY Subcommand:**

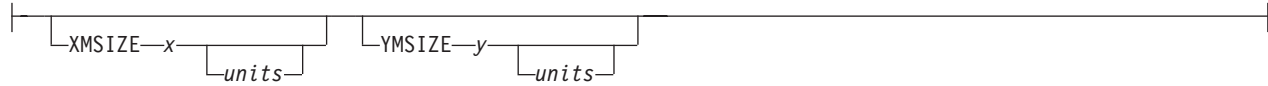


**PLACE Subcommand:**

## Form Definition Commands



### Form-size Parameters:

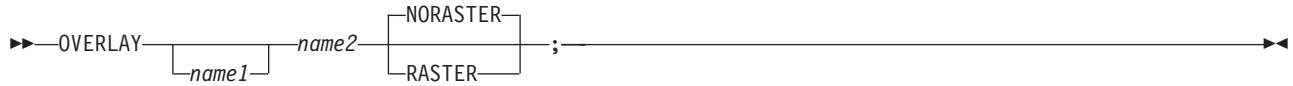


### Notes:

- 1 The use of the **PLACE** subcommand indicates enhanced **N\_UP** printing.

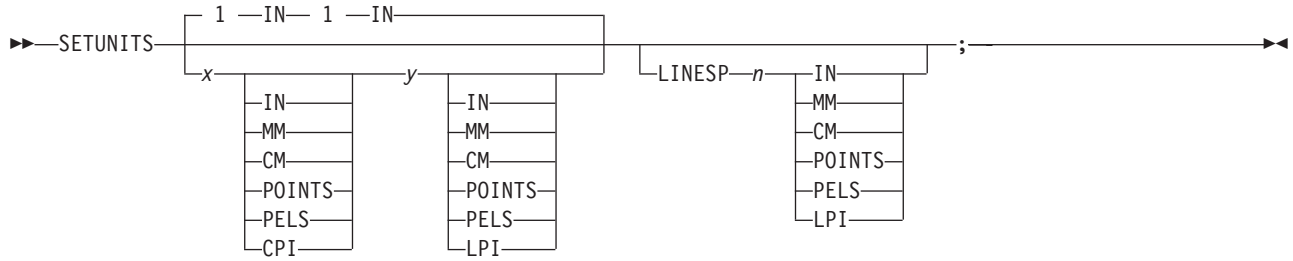
## OVERLAY Command

### OVERLAY Command



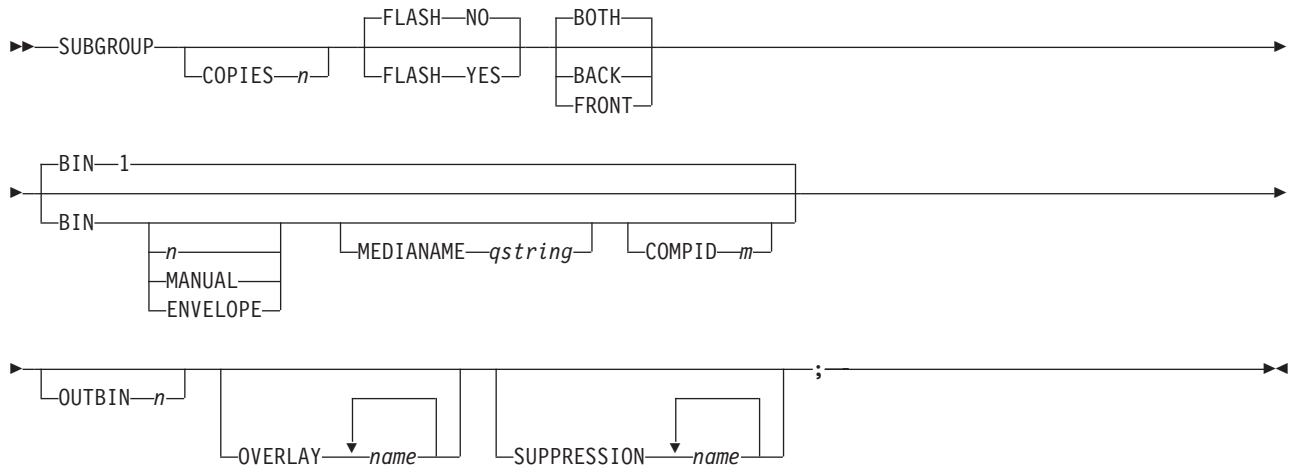
## SETUNITS Command

### SETUNITS Command



## SUBGROUP Command

### SUBGROUP Command



## SUPPRESSION Command

### SUPPRESSION Command



## Form Definition Commands



---

## Chapter 3. Page Definition Commands (Traditional)

This section includes:

- Sequence of commands for page definitions
- Page definition commands listed alphabetically
- Syntax diagrams for each command.

---

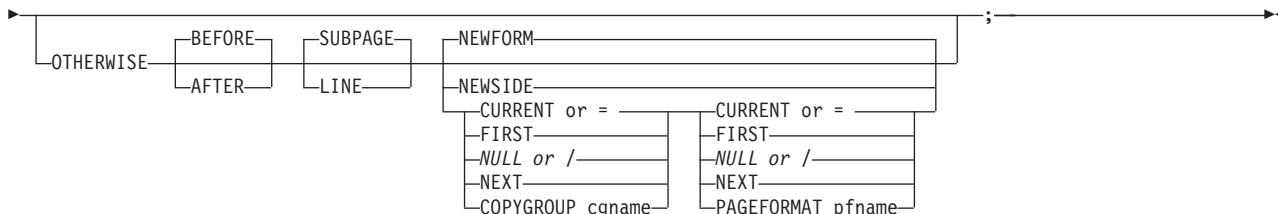
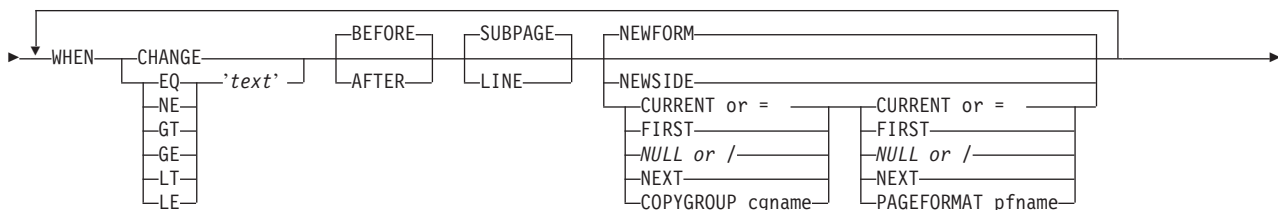
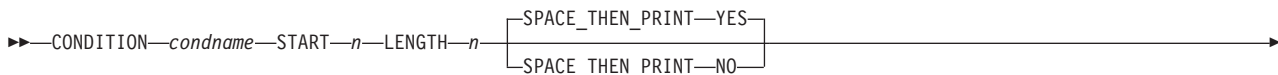
### Sequence of Traditional Commands for Page Definitions with Printline

This section lists the required order of page definition commands.

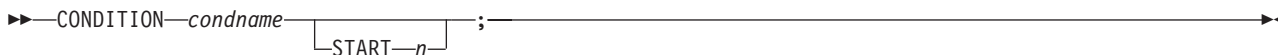
- **PAGEDEF** [ **SETUNITS** ... ]
- [ **FONT** ...]
- [ **OBJECT** ... ]
- [ **DEFINE COLOR...** ]
- [ **PAGEFORMAT** ]
  - [ **TRCREF** ...]
  - [ **SEGMENT** ...]
  - [ **OVERLAY** ...]
  - **PRINTLINE** [ **FIELD** | **CONDITION** ...]
  - [ **ENDSUBPAGE** ] |
  - [ **PRINTLINE** [ **FIELD** | **CONDITION** ...] ...]
- [ **PAGEFORMAT** ]
  - [ **TRCREF** ...]
  - [ **SEGMENT** ...]
  - [ **OVERLAY** ...]
  - **PRINTLINE** [ **FIELD** | **CONDITION** ...]
  - [ **ENDSUBPAGE** ] |
  - [ **PRINTLINE** [ **FIELD** | **CONDITION** ...] ...]
- **FONT** commands must be specified immediately after a **PAGEDEF** command. The exception is the **SETUNITS** command.
- **OBJECT** commands must be specified immediately after any **FONT** commands and before any **PAGEFORMAT** or other commands, except the **SETUNITS** command.
- A **SETUNITS** command can be placed before any other PPFA command. The values set are in effect until the next **SETUNITS** command.
- **TRCREF**, **SEGMENT**, and **OVERLAY** commands must be specified under their associated **PAGEFORMAT** command.
- The first **PAGEFORMAT** command can be omitted in a page definition, if the page definition contains only one page format. If the **PAGEFORMAT** command is omitted, the **PAGEDEF** command parameters are used to define the page format.
- At least one **PRINTLINE** command is required per page format for Traditional Line Data Page definition. **PRINTLINE** and **LAYOUT** commands cannot be used within the same page definition.
- An **ENDSUBPAGE** command can occur anywhere in a page definition that a **PRINTLINE** command can occur, except it can not occur between a **PRINTLINE** command and its associated **FIELD** and **CONDITION** commands.
- One file can contain multiple sets of page definitions.

## CONDITION Command (Traditional)

### CONDITION Command

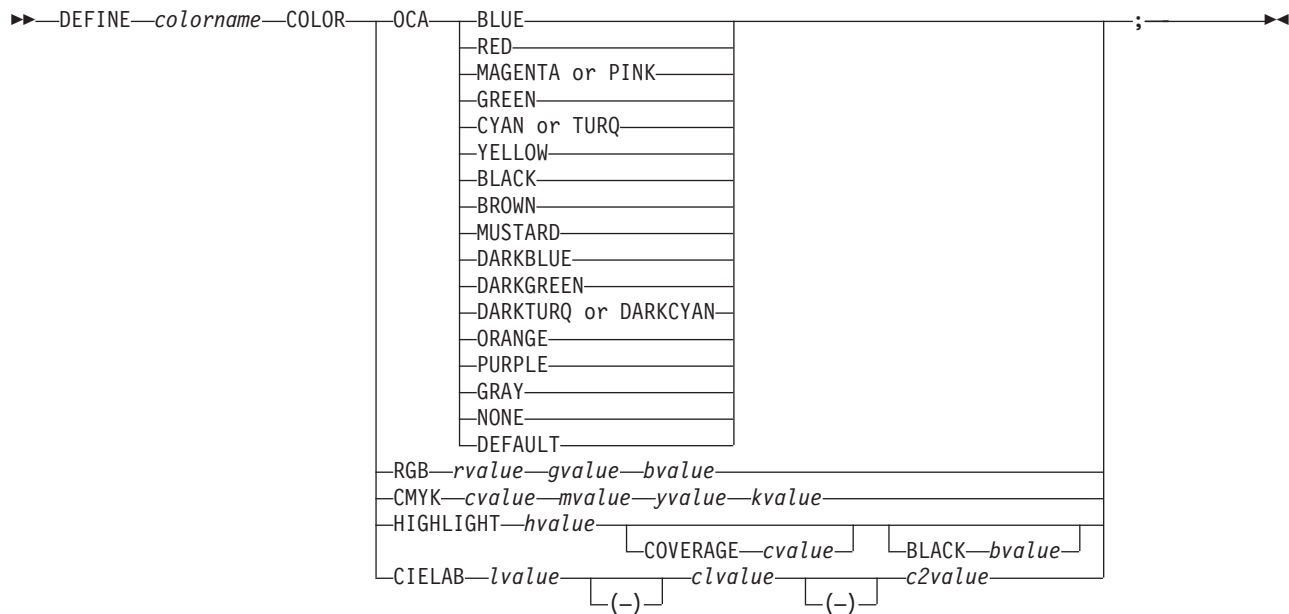


### Short Form



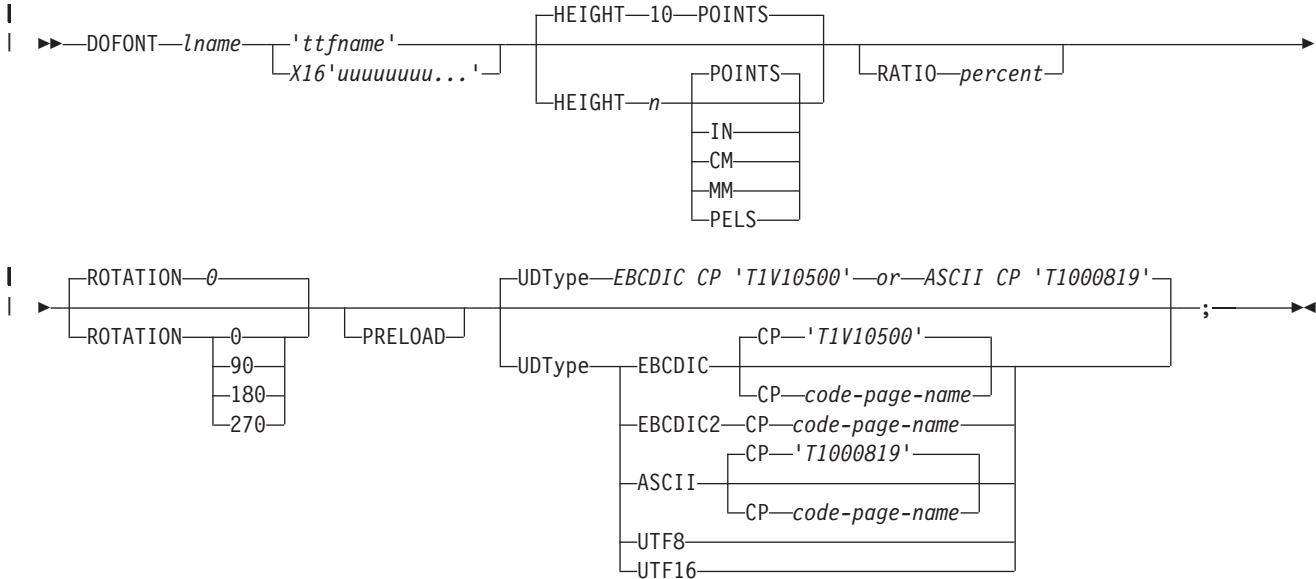
## DEFINE COLOR Command (Traditional)

### DEFINE COLOR Command



## DOFONT Command (Traditional)

### DOFONT Command (Traditional)



## ENDSUBPAGE Command (Traditional)

### ENDSUBPAGE Command



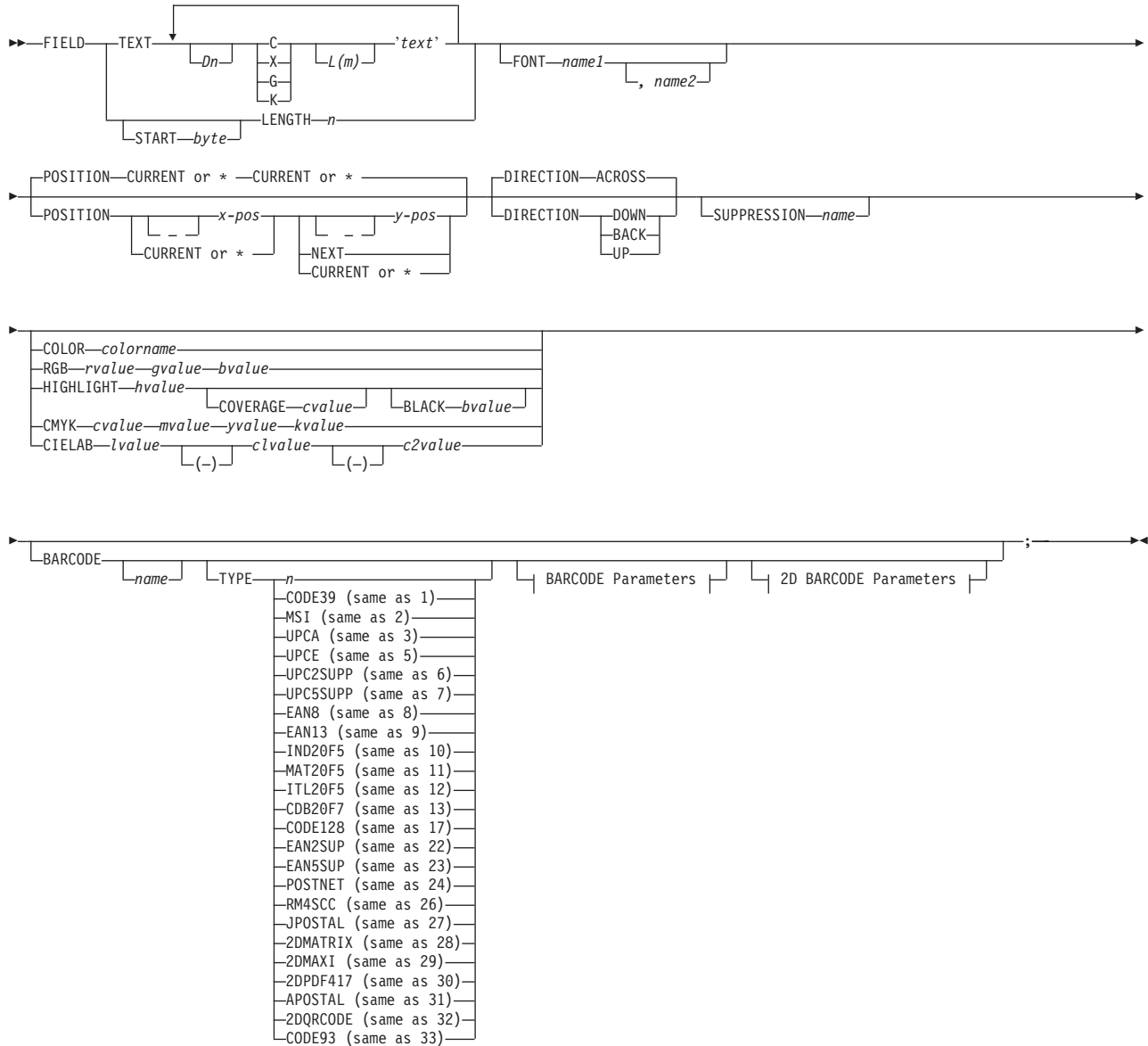
## EXTREF Command (Traditional)

### EXTREF Command (Traditional)

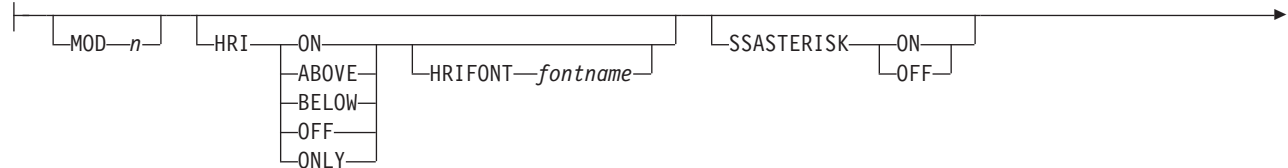


## FIELD Command (Traditional)

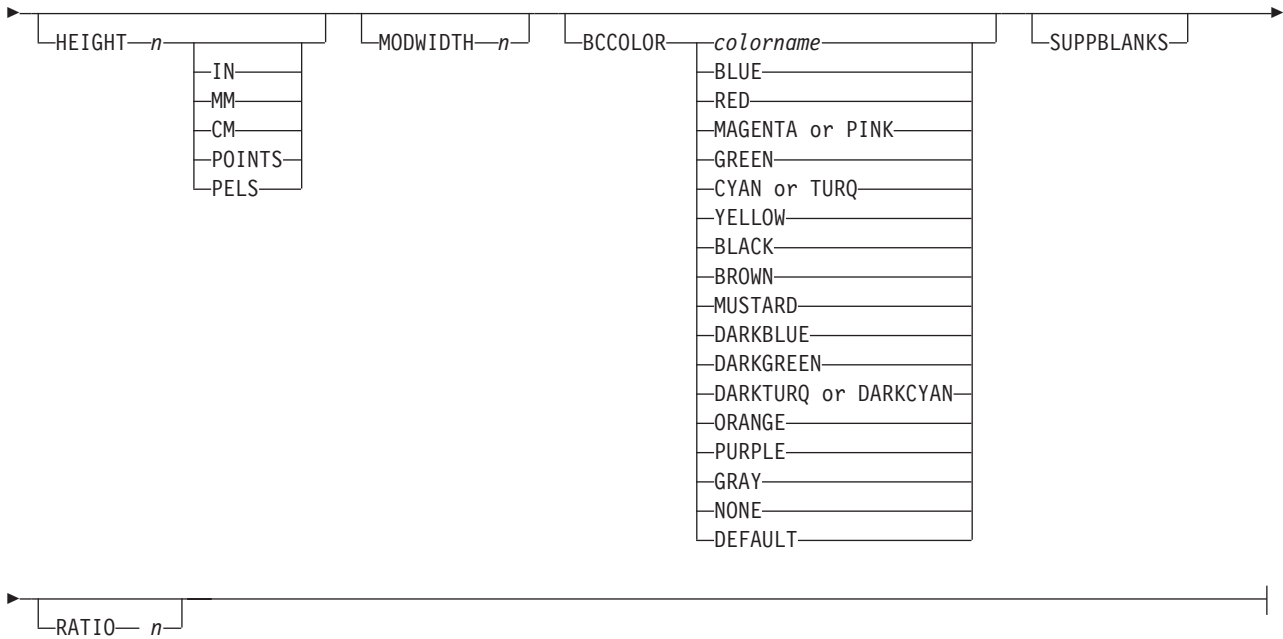
### FIELD Command (Traditional)



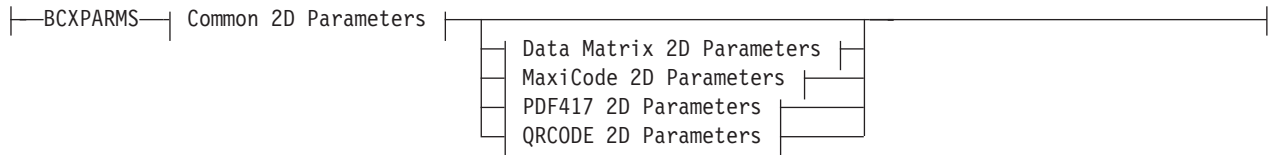
### BARCODE Parameters:



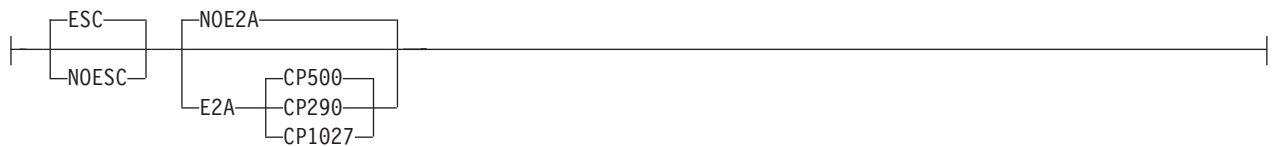
## Page Definition Commands (Traditional)



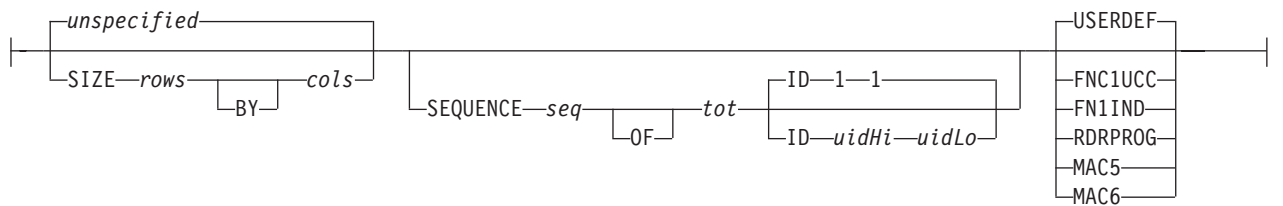
### 2D BARCODE Parameters:



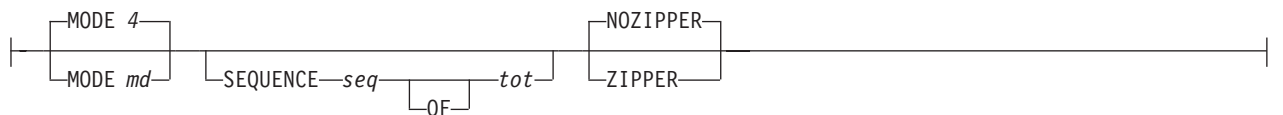
### Common 2D Parameters:



### Data Matrix 2D Parameters:

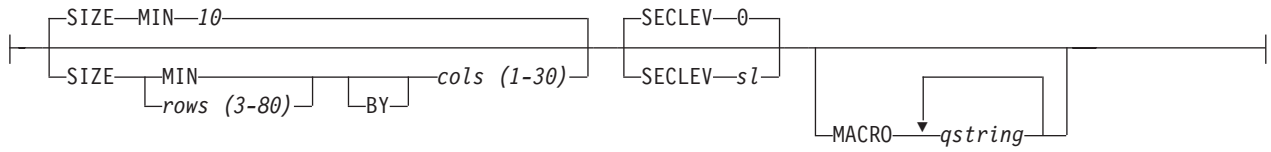


### MaxiCode 2D Parameters:

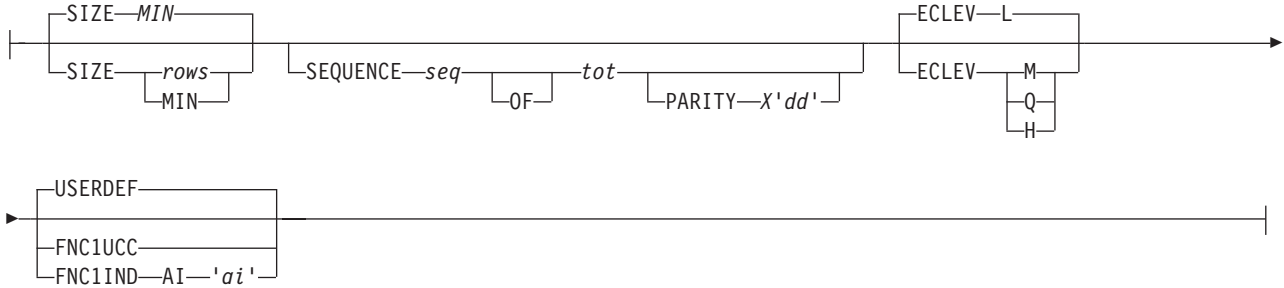


### PDF417 2D Parameters:

## Page Definition Commands (Traditional)

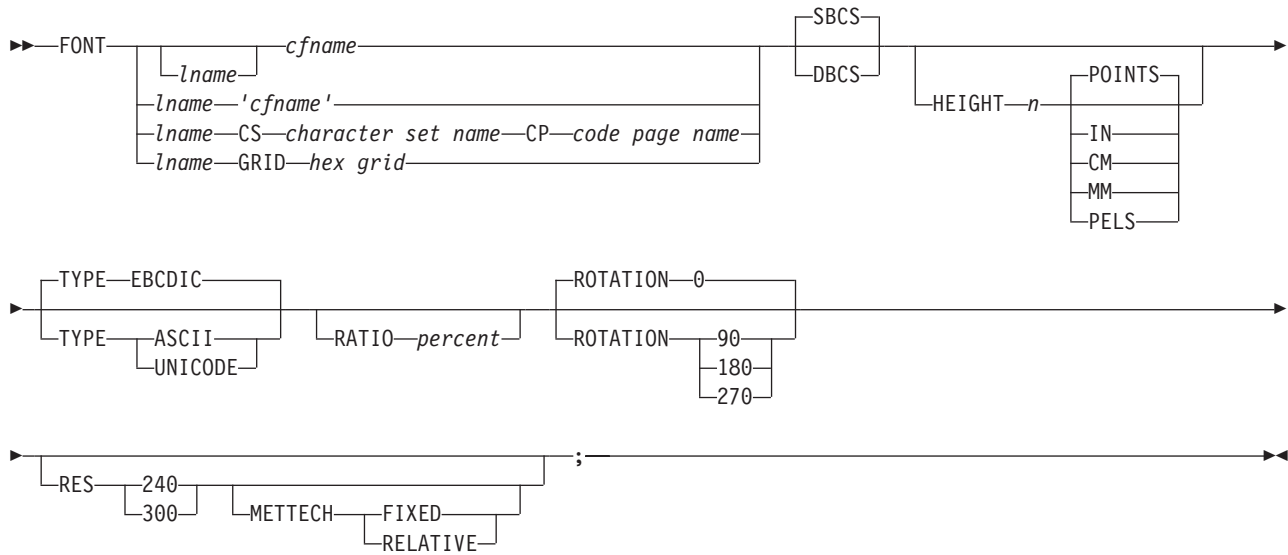


### QR CODE 2D Parameters:



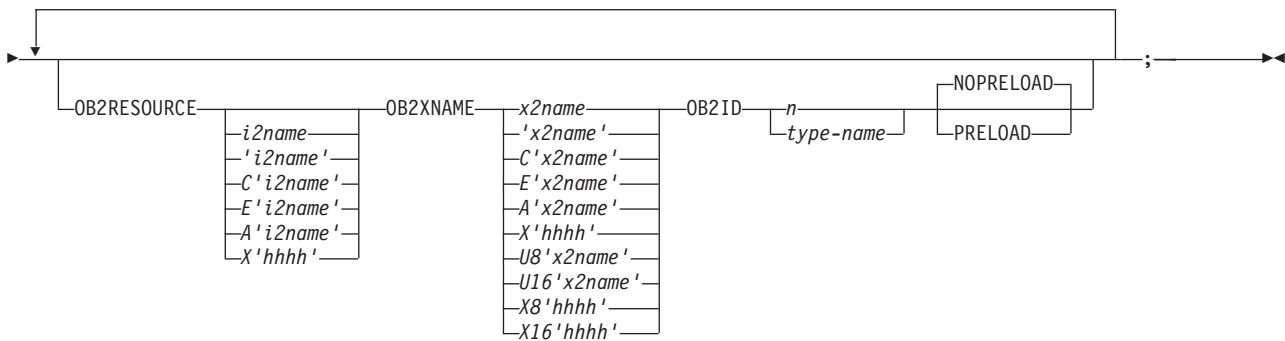
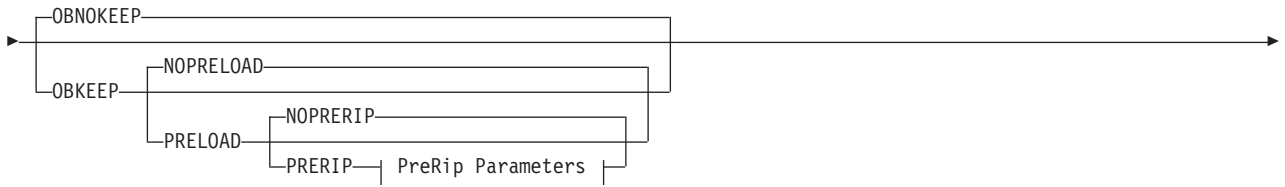
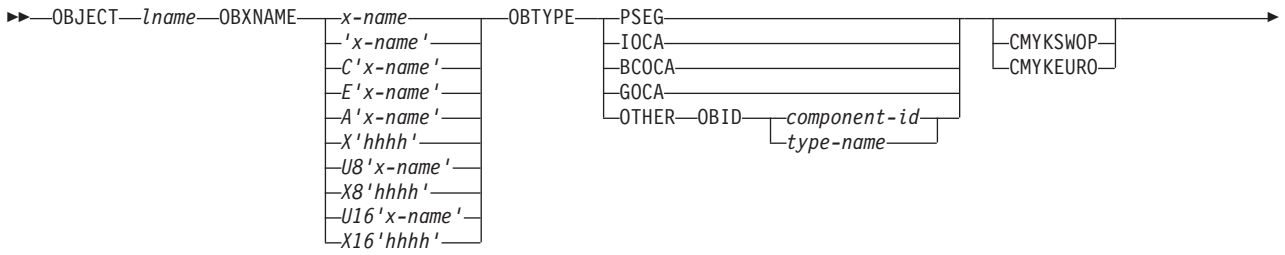
## FONT Command (Traditional)

### FONT Command

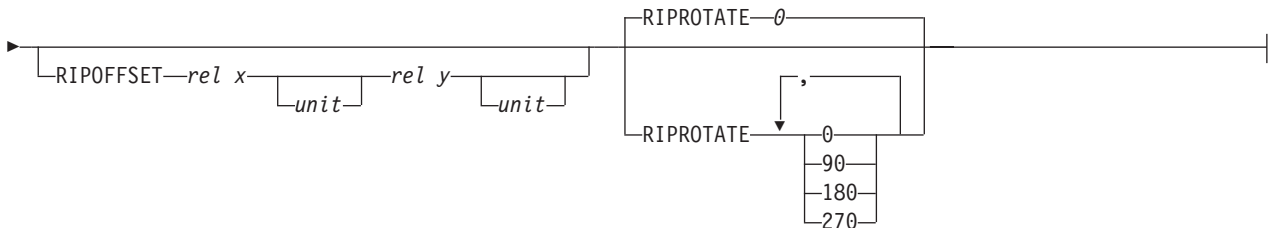
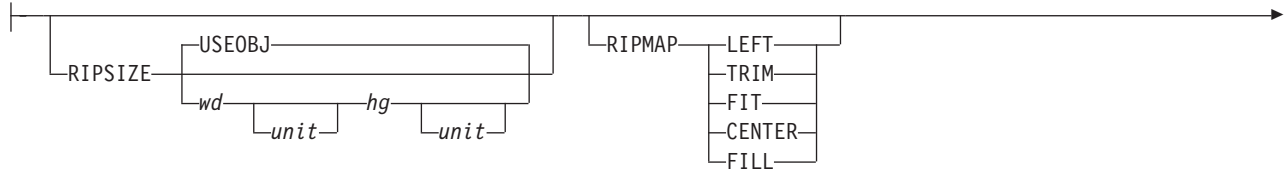


# OBJECT Command (Traditional)

## OBJECT Command



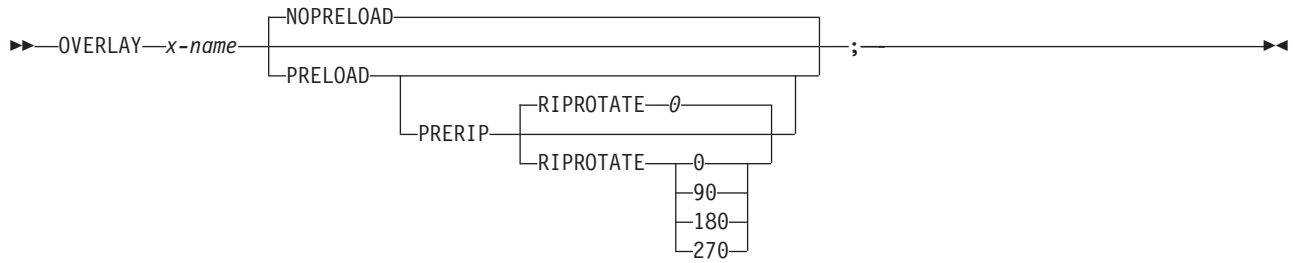
### PreRip Parameters:





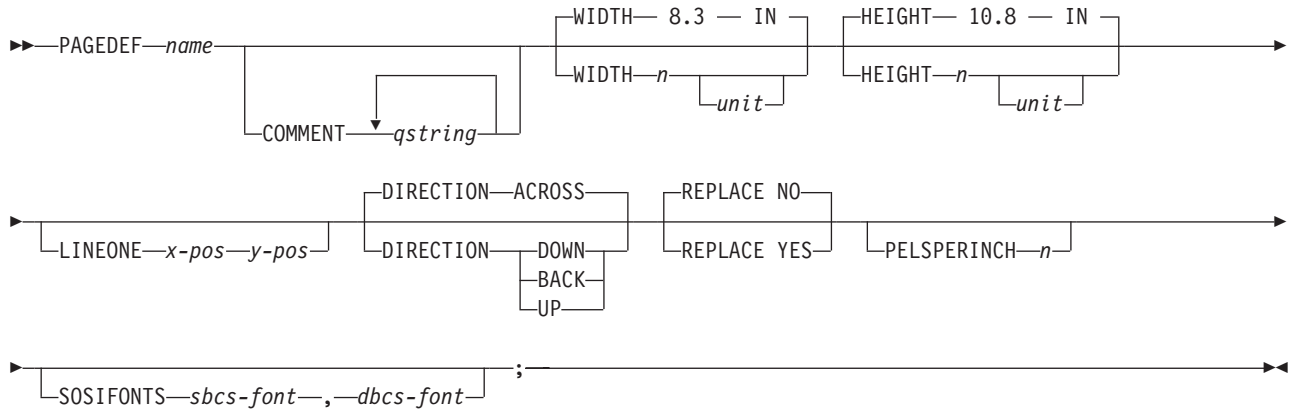
## OVERLAY Command (Traditional)

### OVERLAY Command



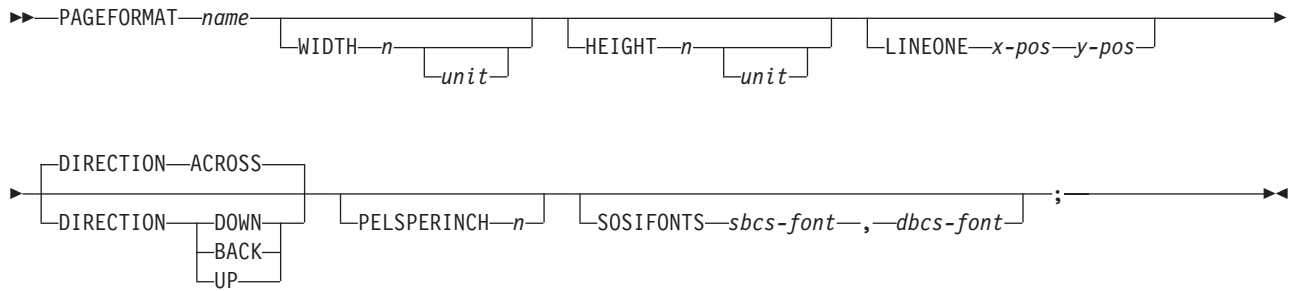
## PAGEDEF Command (Traditional)

### PAGEDEF Command



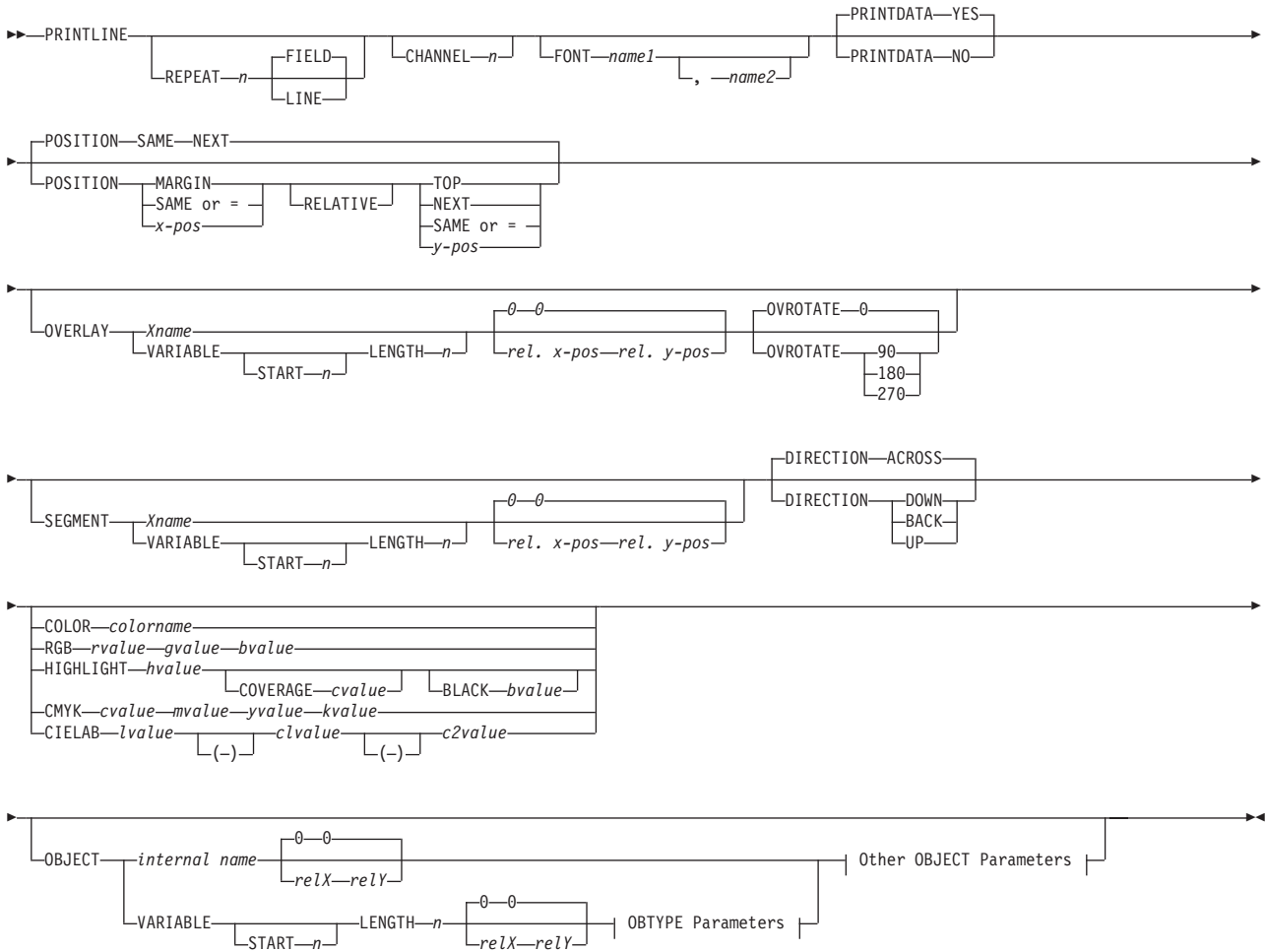
## PAGEFORMAT Command (Traditional)

### PAGEFORMAT Command



# PRINTLINE Command (Traditional)

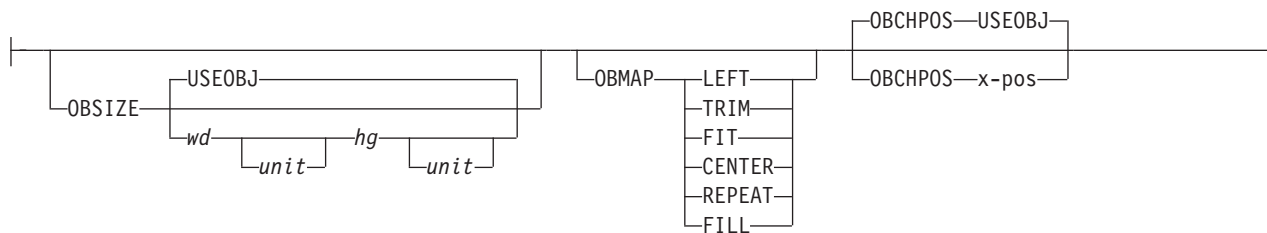
## PRINTLINE Command

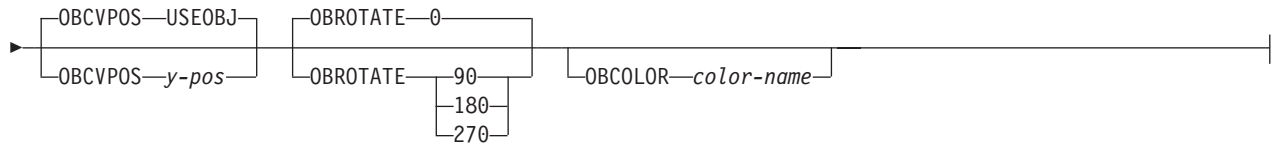


### OBTYPE Parameters:



### Other OBJECT Parameters:





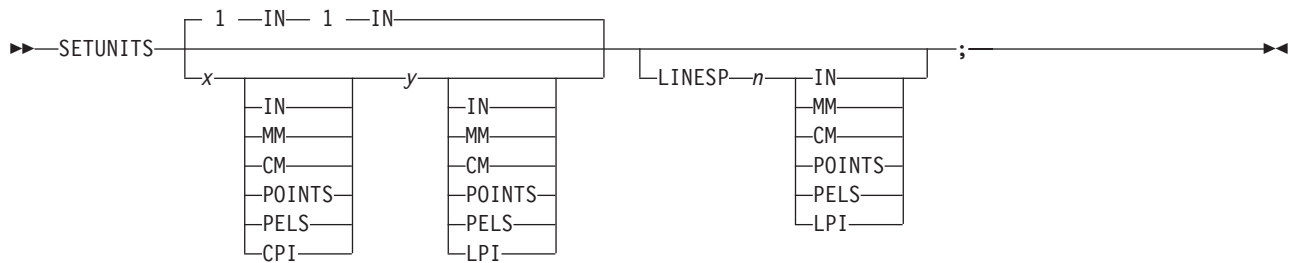
## SEGMENT Command (Traditional)

### SEGMENT Command



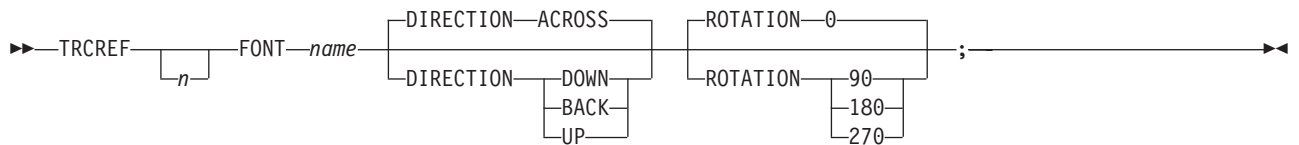
## SETUNITS Command (Traditional)

### SETUNITS Command



## TRCREF Command (Traditional)

### TRCREF Command



## Page Definition Commands (Traditional)

---

## Chapter 4. Page Definition Command Reference (Record Formatting and XML)

This section includes:

- Sequence of record formatting commands for page definitions
- Commands listed alphabetically
- Syntax diagram for each command.

---

### Sequence of Record Format Commands for Page Definitions with Layout

This section lists the required order of form definition record format commands.

```
[ SETUNITS ... ]
PAGEDEF
FONT
[OBJECT ... ]
[DEFINE COLOR... ]
[ PAGEFORMAT ]
  [ SEGMENT ...]
  [ OVERLAY ...]
  [ LAYOUT ...]
  [ CONDITION ...]
  [ FIELD ...]
  [ DRAWGRAPHIC ...]
  [ ENDGRAPHIC ...]
[ PAGEFORMAT ]
  [ SEGMENT ...]
  [ OVERLAY ...]
  [ LAYOUT ...]
  [ CONDITION ...]
  [ FIELD ...]
  [ DRAWGRAPHIC ...]
  [ ENDGRAPHIC ...]
```

- **LAYOUT** commands and **PRINTLINE** commands cannot be used within the same **PAGEDEF**. At least one **LAYOUT** command is required per page format for a record formatting page definition.
- A **SETUNITS** command can be placed before any other PPFA command. The values set are in effect until the next **SETUNITS** command.
- **SEGMENT** and **OVERLAY** commands must be specified under their associated **PAGEFORMAT** command.
- The first **PAGEFORMAT** command can be omitted in a page definition, if the page definition contains only one page format. If the **PAGEFORMAT** command is omitted, the **PAGEDEF** command parameters are used to define the page format.
- One file can contain multiple sets of page definitions.
- At least one **FONT** command is required for each **PAGEDEF** command.

## Sequence of Commands for XML Page Definitions with XLAYOUT

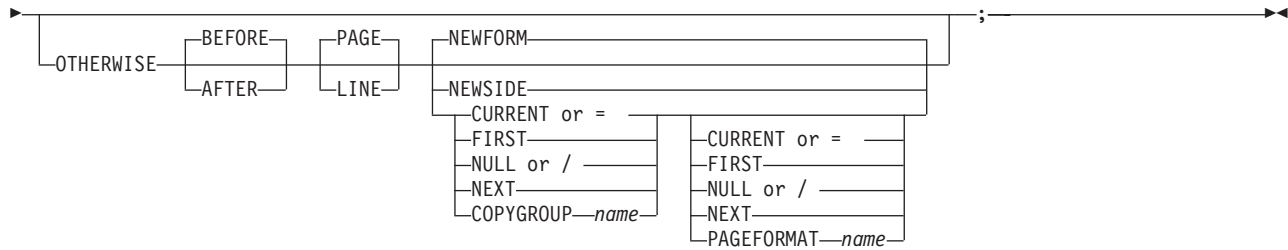
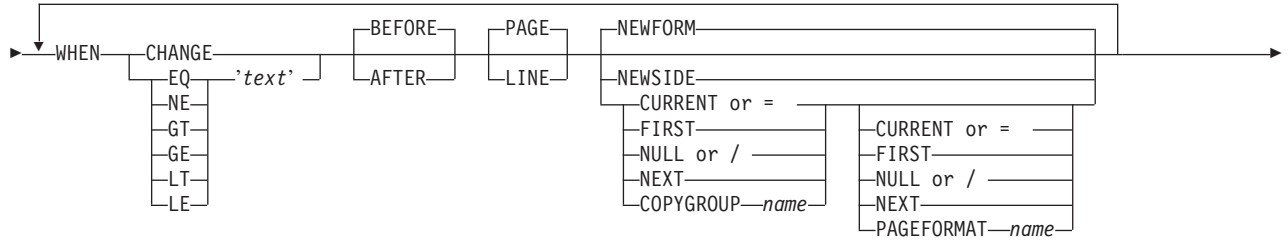
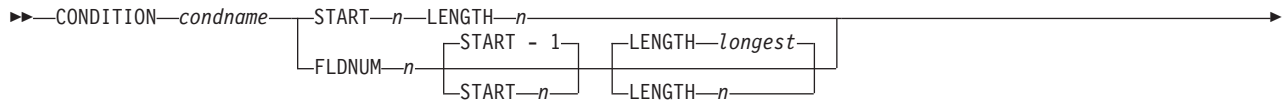
This section lists the required order of form definition record format commands.

```
[ SETUNITS ... ]
PAGEDEF
FONT
[OBJECT ... ]
[DEFINE COLOR ... ]
[DEFINE QTAG ... ]
[ PAGEFORMAT ]
  [ SEGMENT ...]
  [ OVERLAY ...]
  [ XLAYOUT ...]
  [ CONDITION ...]
  [ FIELD ...]
  [ DRAWGRAPHIC ...]
  [ ENDGRAPHIC ...]
[ PAGEFORMAT ]
  [ SEGMENT ...]
  [ OVERLAY ...]
  [ XLAYOUT ...]
  [ CONDITION ...]
  [ FIELD ...]
  [ DRAWGRAPHIC ...]
  [ ENDGRAPHIC ...]
```

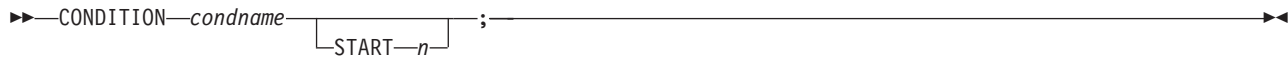
- **XLAYOUT**, **XLAYOUT**, and **PRINTLINE** commands cannot be mixed within the same **PAGEDEF**. At least one **XLAYOUT** command is required per page format for an XML page definition. At least one **FONT** command is required for each **PAGEDEF** command.
- A **SETUNITS** command can be placed before any other PPFA command. The values set are in effect until the next **SETUNITS** command.
- **SEGMENT** and **OVERLAY** commands must be specified under their associated **PAGEFORMAT** command.
- The first **PAGEFORMAT** command can be omitted in a page definition if the page definition contains only one page format. If the **PAGEFORMAT** command is omitted, the **PAGEDEF** command parameters are used to define the page format.
- One file can contain multiple sets of page definitions.

## CONDITION Command (Record Format and XML)

### CONDITION Command

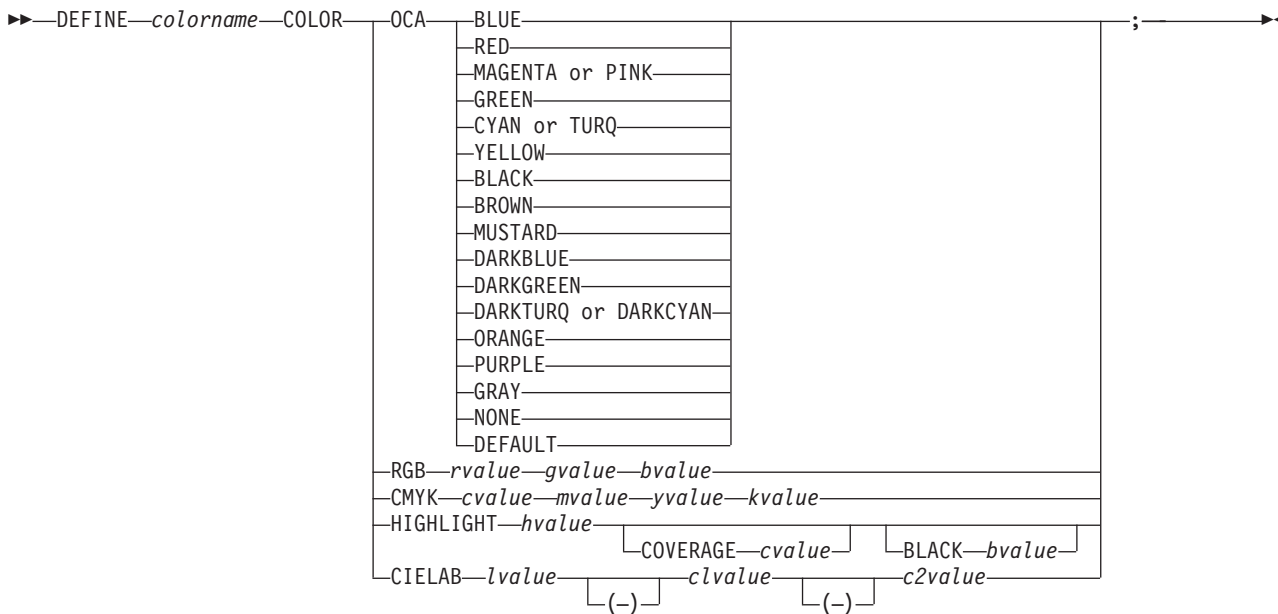


### Short Form



## DEFINE COLOR Command (Record Format and XML)

### DEFINE COLOR Command



## DEFINE QTAG Command (XML)

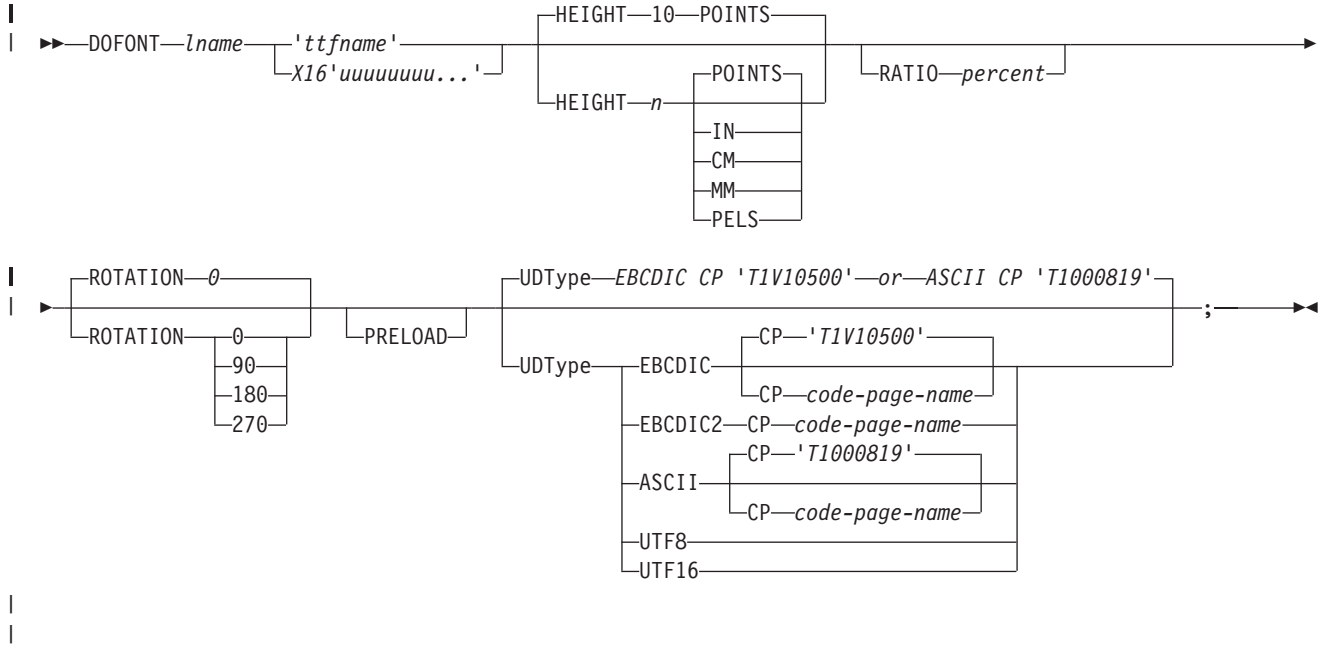
### DEFINE QTAG Command





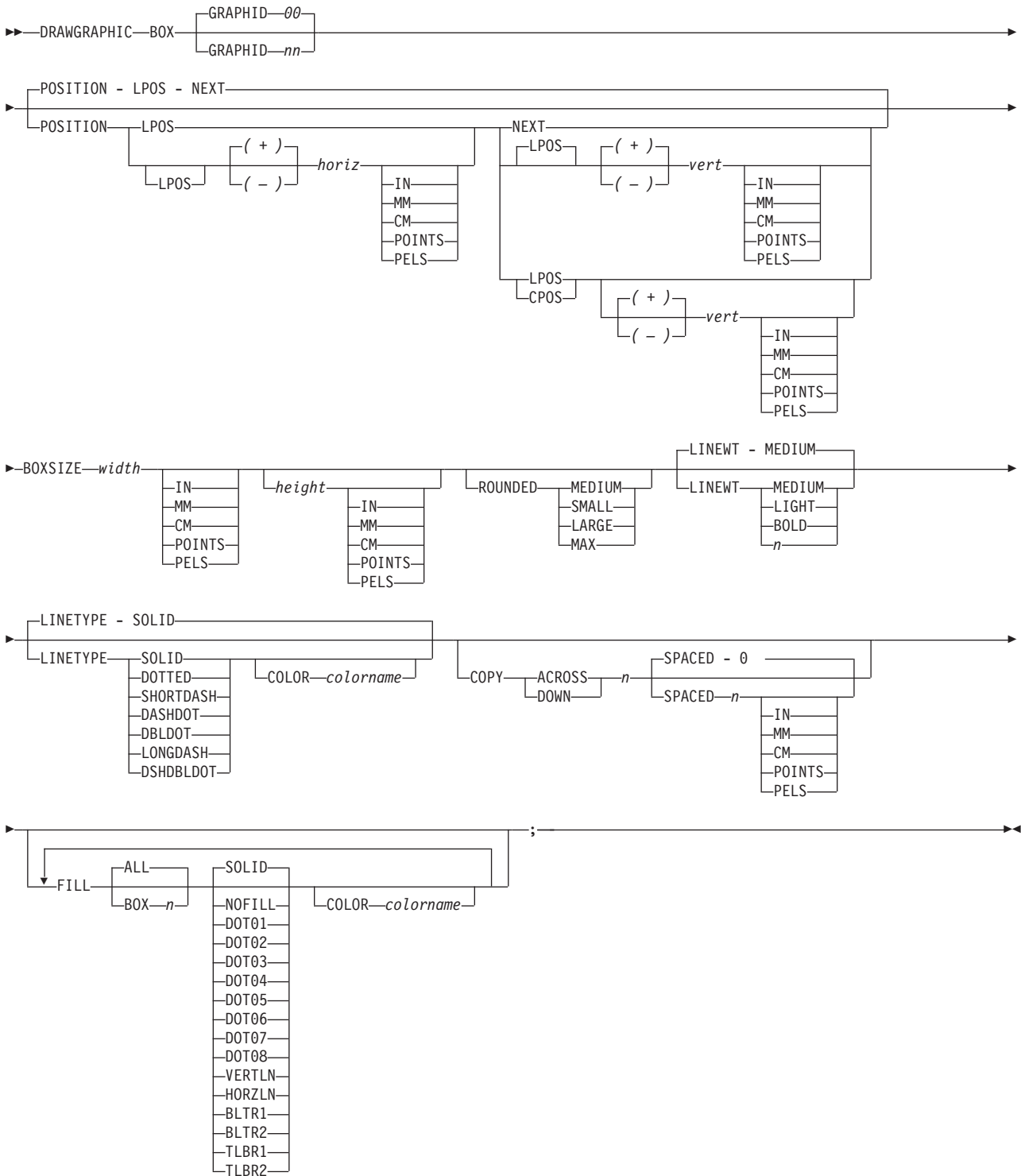
## DOFONT Command (Record Format and XML)

### DOFONT Command (Record Format and XML)



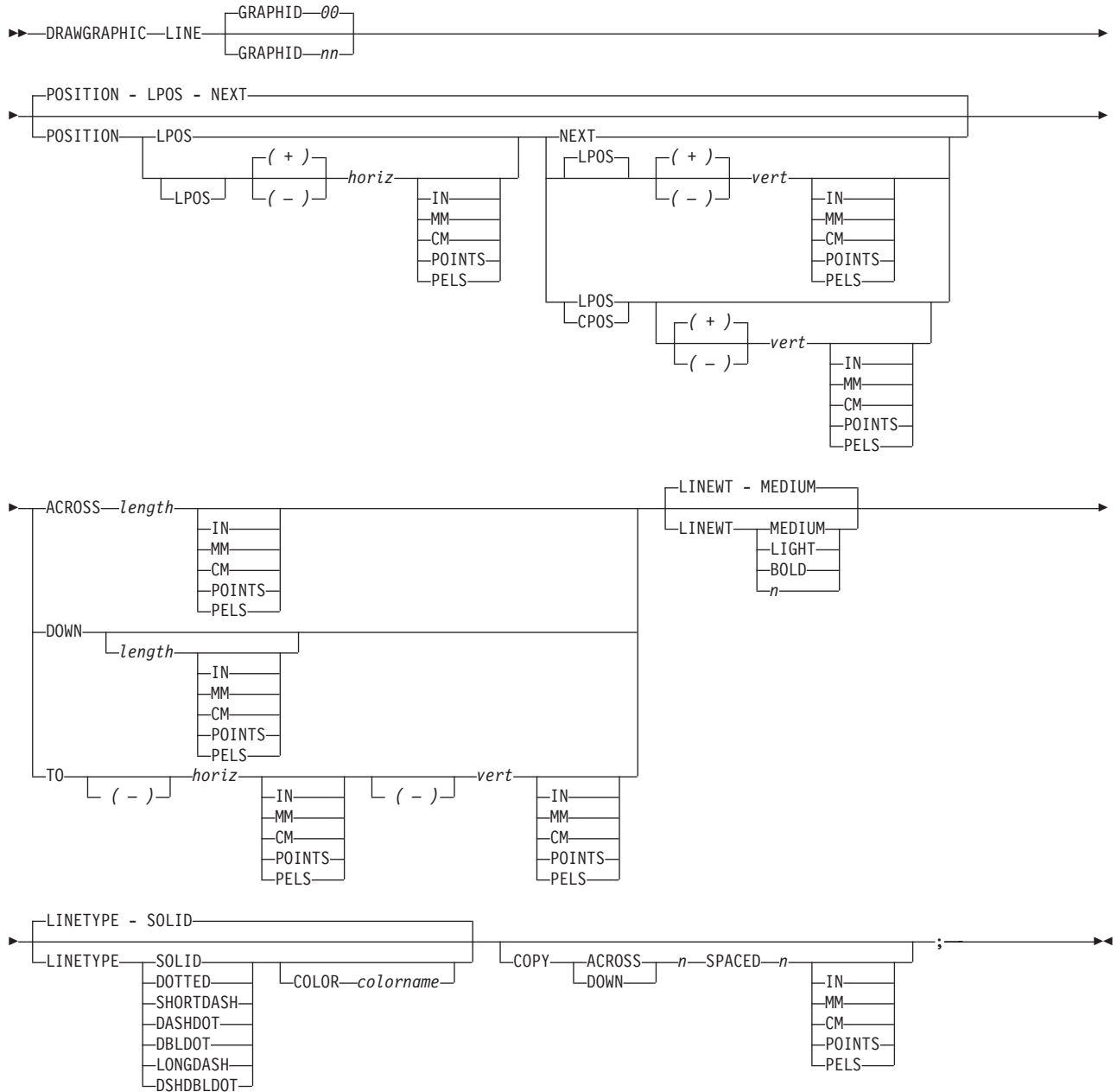
## DRAWGRAPHIC - BOX Command (Record Format and XML)

### DRAWGRAPHIC - BOX Command



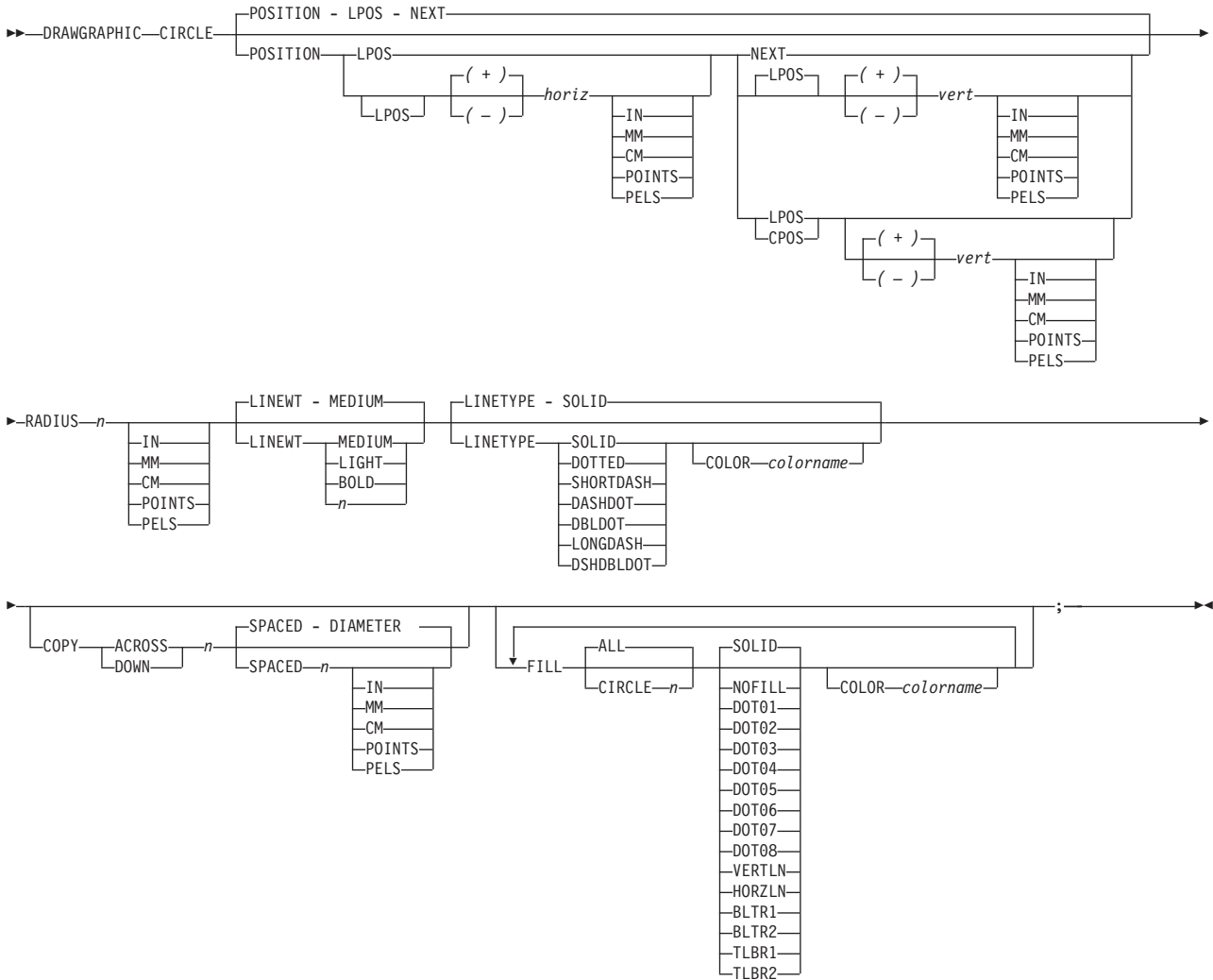
## DRAWGRAPHIC - LINE Command (Record Format and XML)

### DRAWGRAPHIC - LINE Command



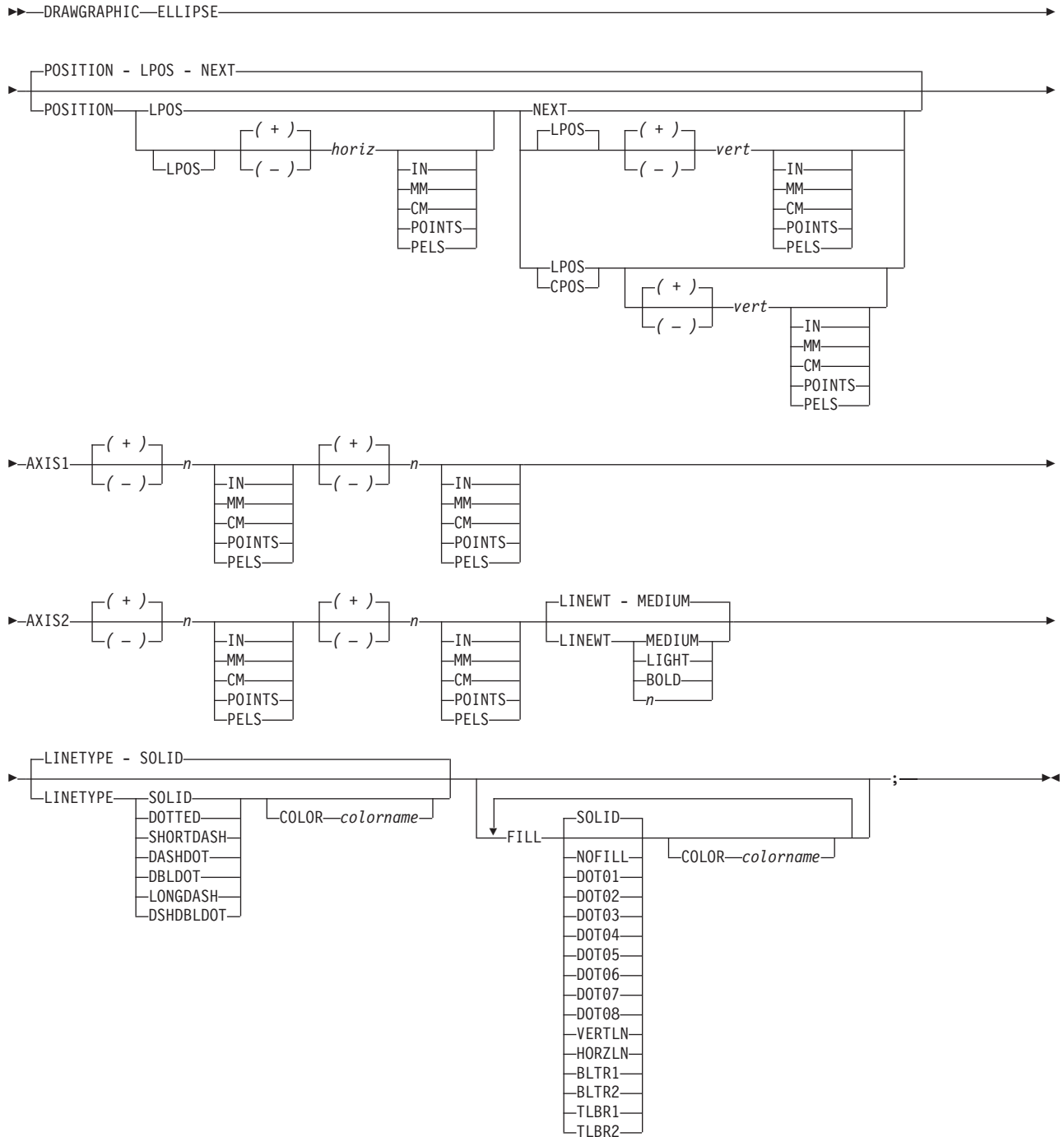
# DRAWGRAPHIC - CIRCLE Command (Record Format and XML)

## DRAWGRAPHIC - CIRCLE Command



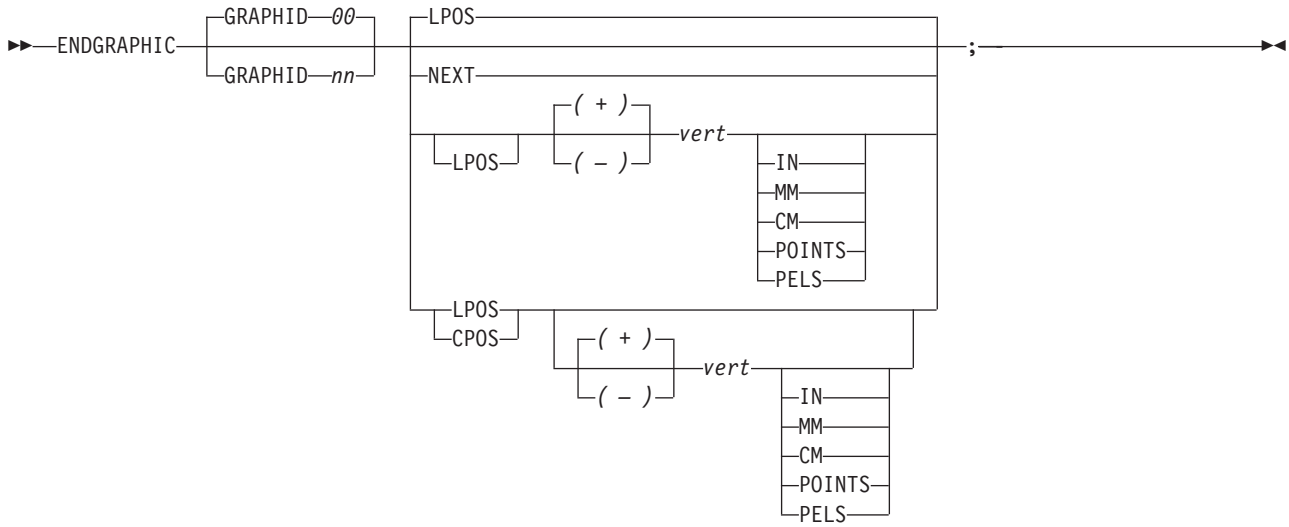
## DRAWGRAPHIC - ELLIPSE Command (Record Format and XML)

### DRAWGRAPHIC - ELLIPSE Command



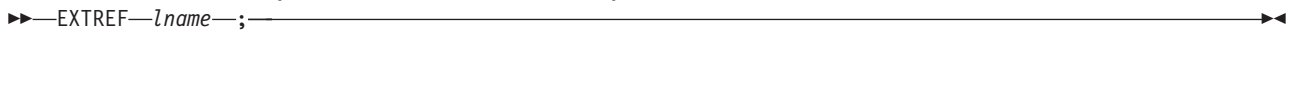
## ENDGRAPHIC Command (Record Format and XML)

### ENDGRAPHIC Command



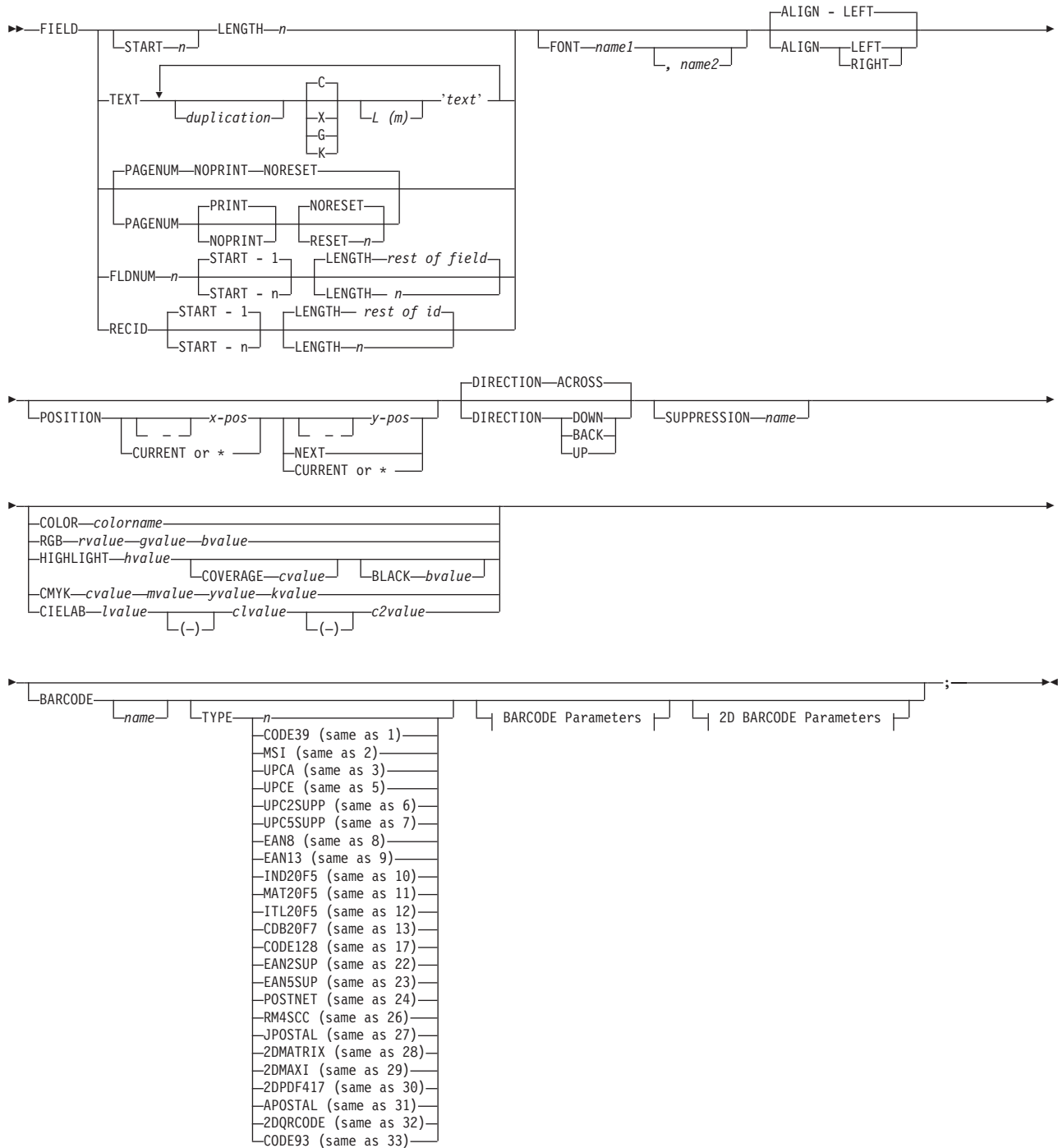
## EXTREF Command (Record Format and XML)

### EXTREF Command (Record Format and XML)



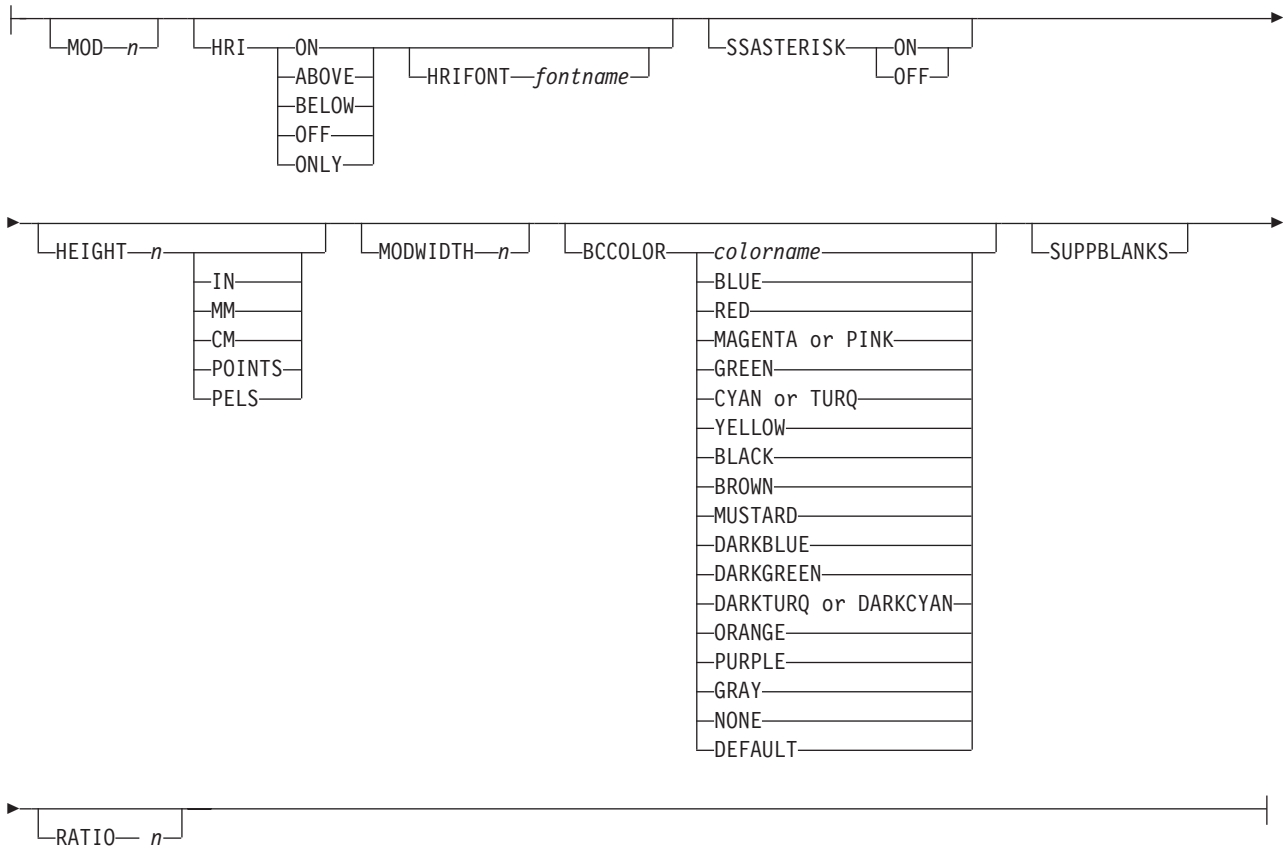
## FIELD Command (Record Format)

### FIELD Command (Record Format)

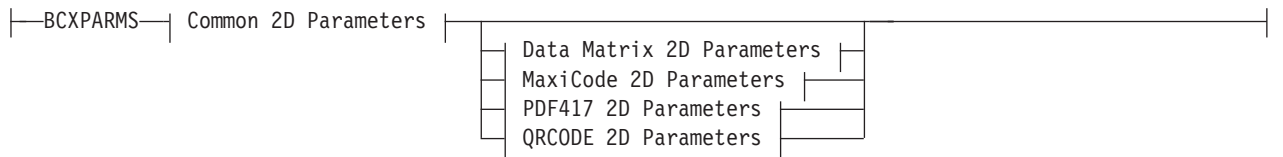


### BARCODE Parameters:

## Page Definition Command (Record Formatting and XML)



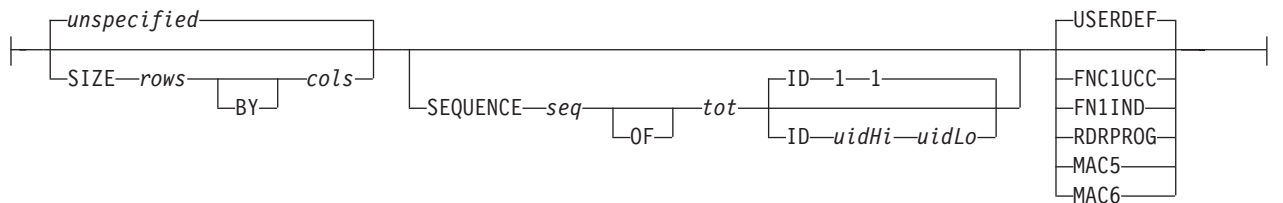
### 2D BARCODE Parameters:



### Common 2D Parameters:



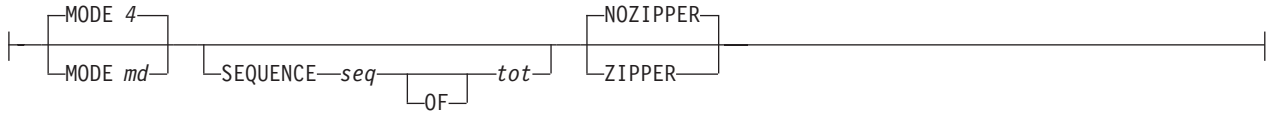
### Data Matrix 2D Parameters:



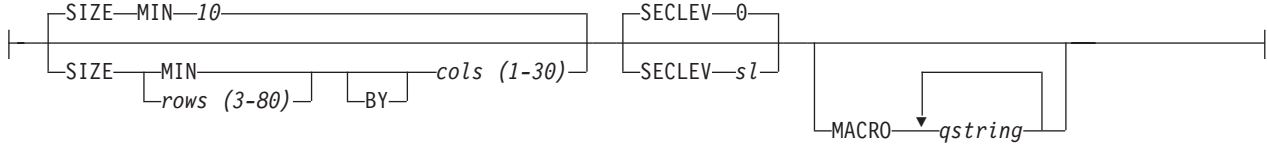
### MaxiCode 2D Parameters:



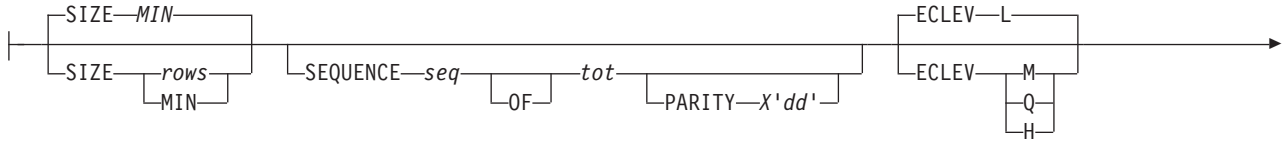
## Page Definition Command (Record Formatting and XML)



### PDF417 2D Parameters:

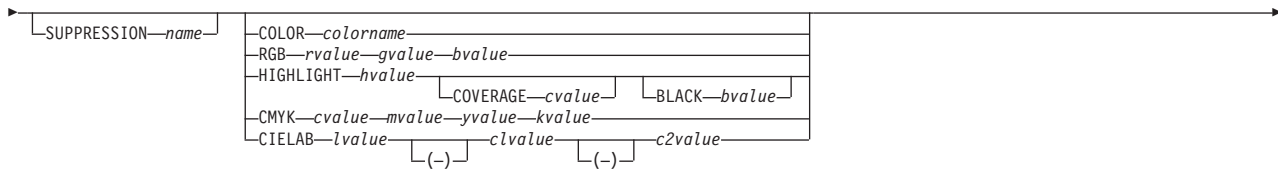
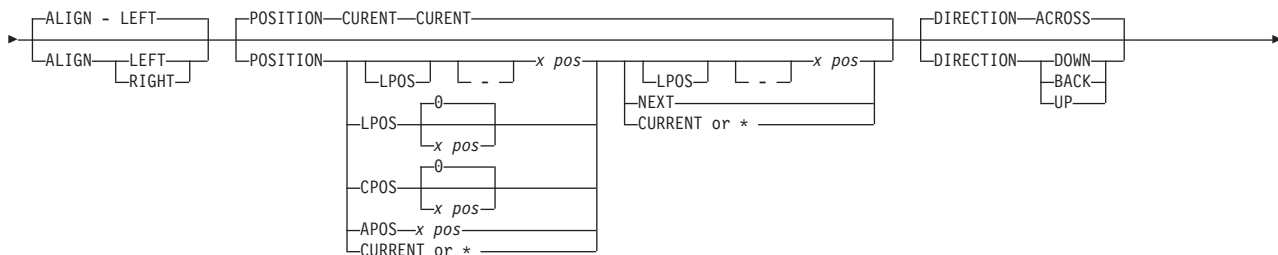
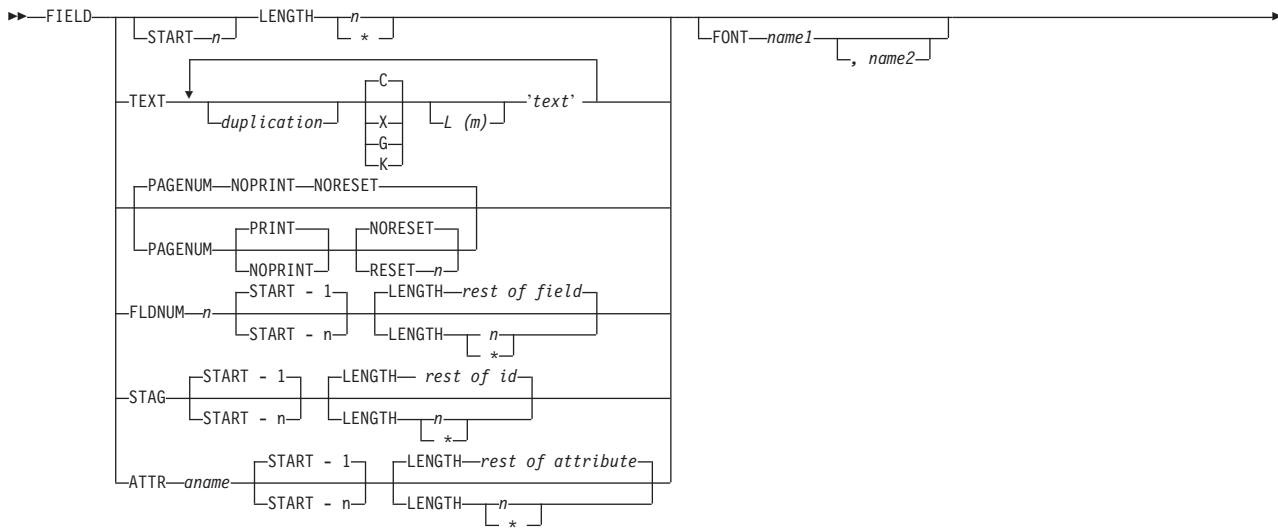


### QR CODE 2D Parameters:

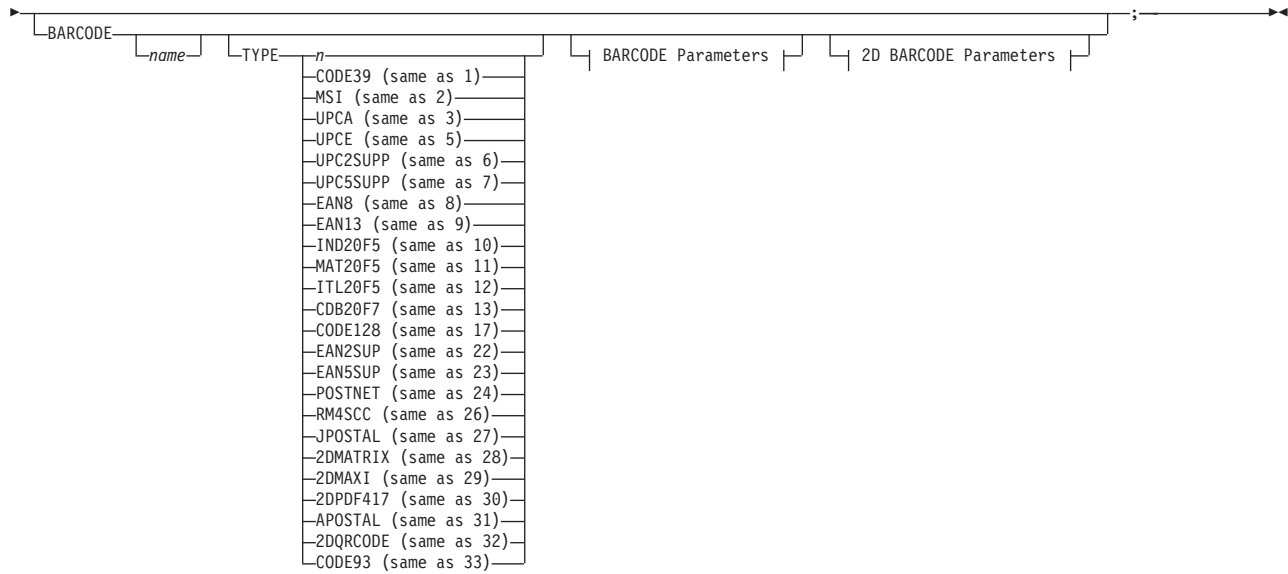


## FIELD Command (XML)

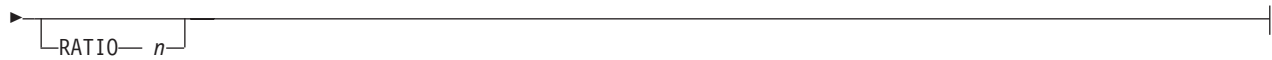
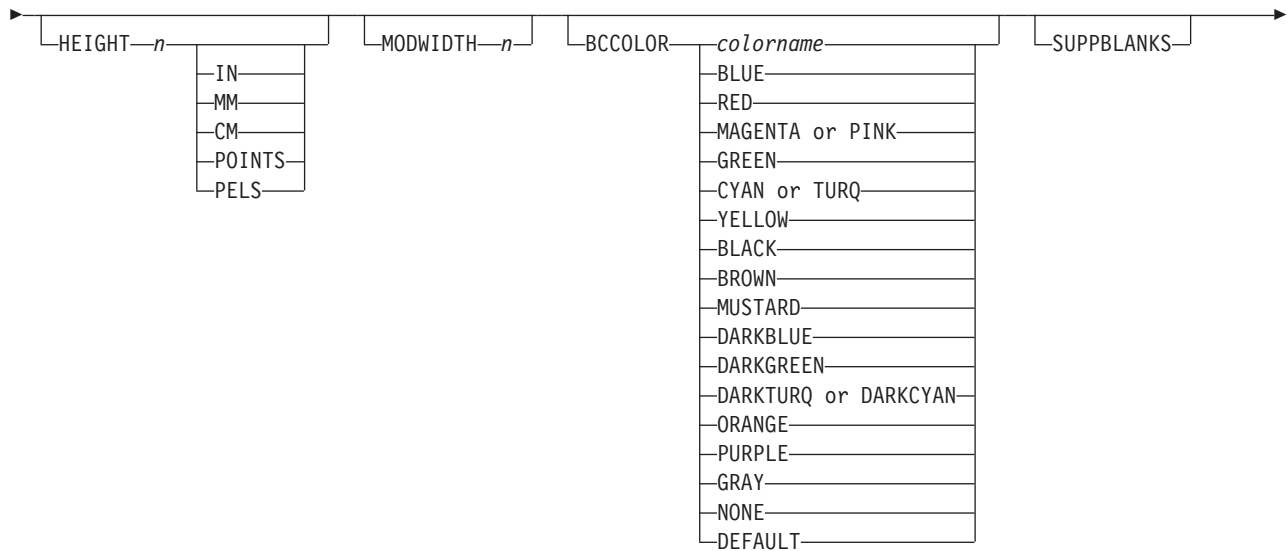
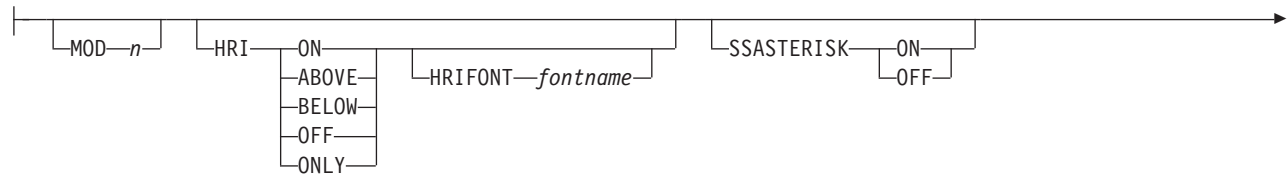
### FIELD Command (XML)



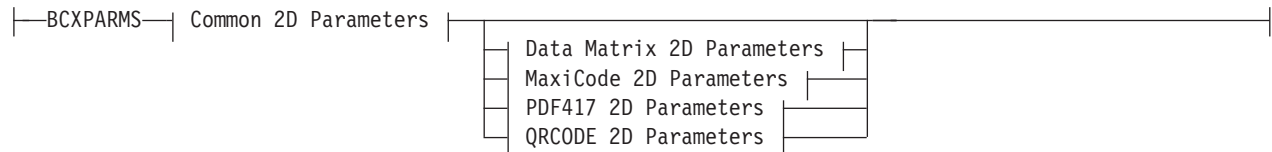
## Page Definition Command (Record Formatting and XML)



### BARCODE Parameters:

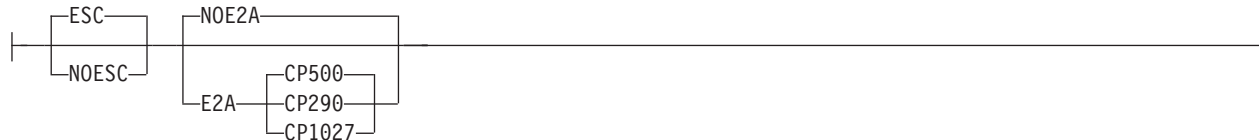


### 2D BARCODE Parameters:

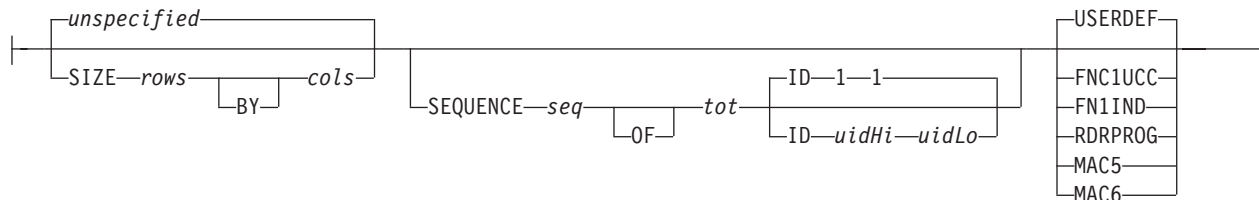


## Page Definition Command (Record Formatting and XML)

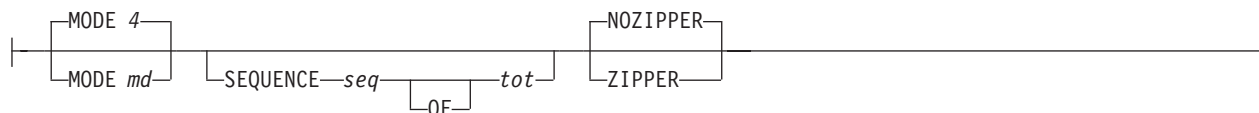
### Common 2D Parameters:



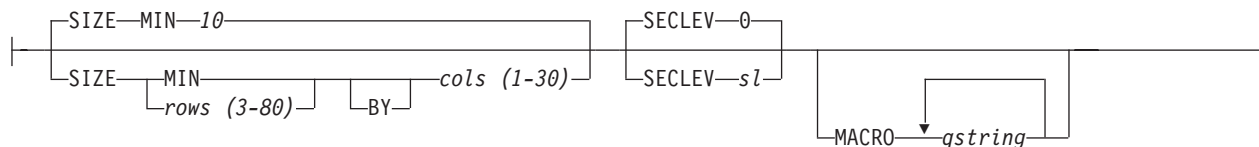
### Data Matrix 2D Parameters:



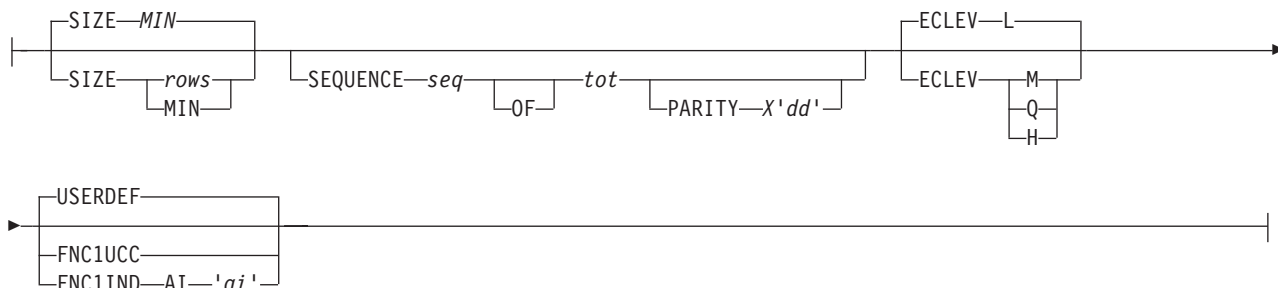
### MaxiCode 2D Parameters:



### PDF417 2D Parameters:

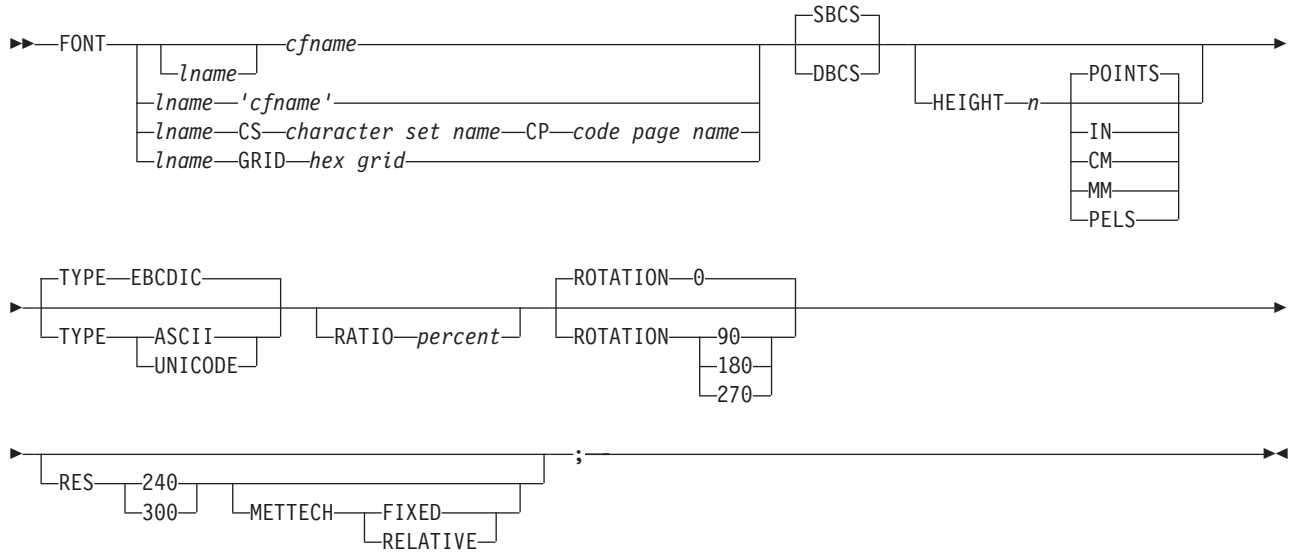


### QRCODE 2D Parameters:



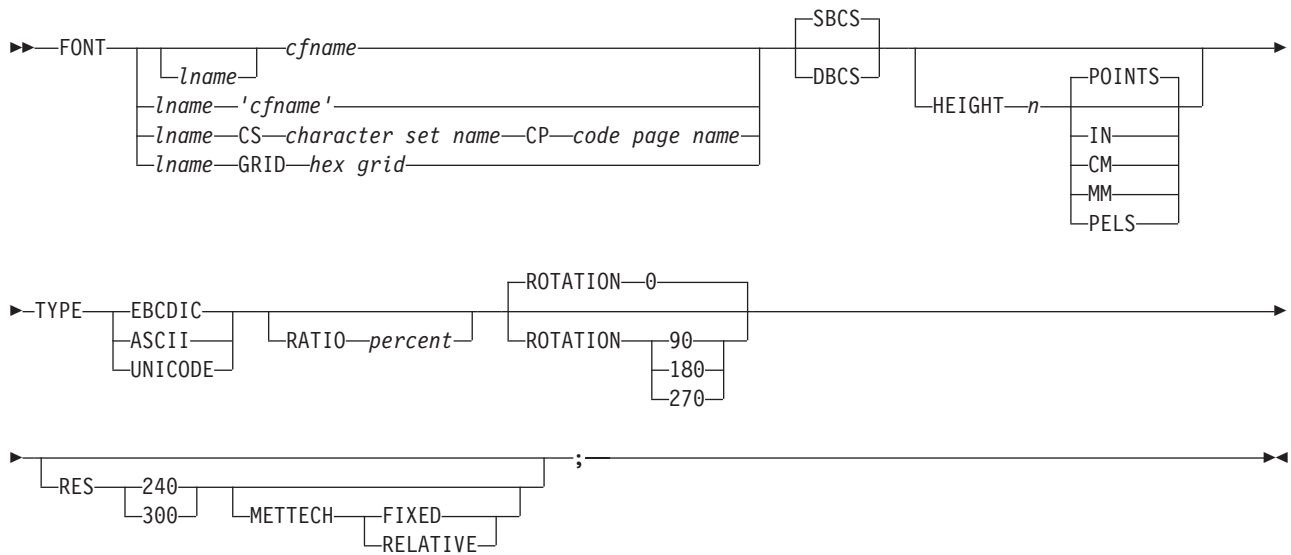
## FONT Command (Record Format)

### FONT Command



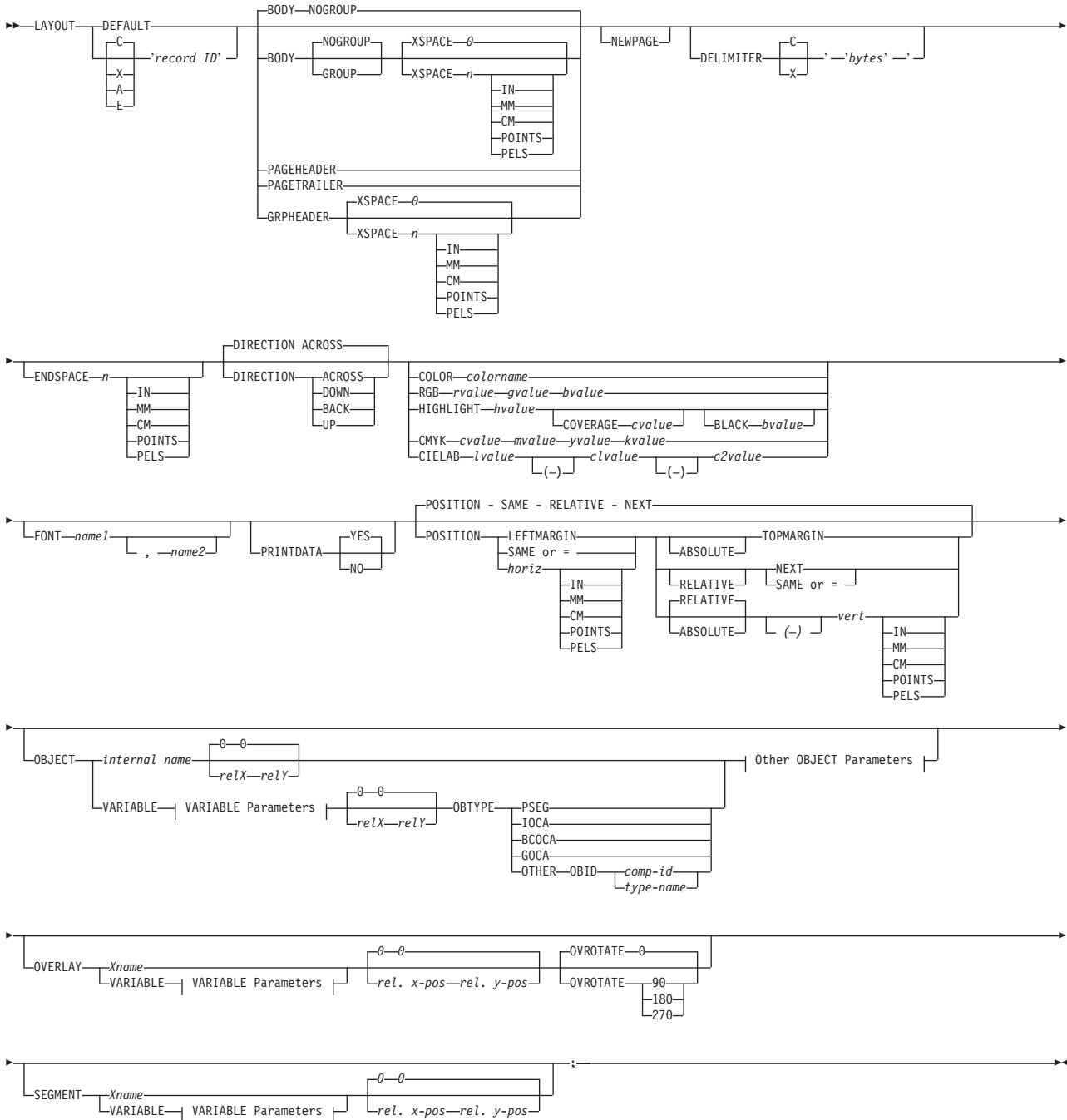
## FONT Command (XML)

### FONT Command



## LAYOUT Command (Record Format)

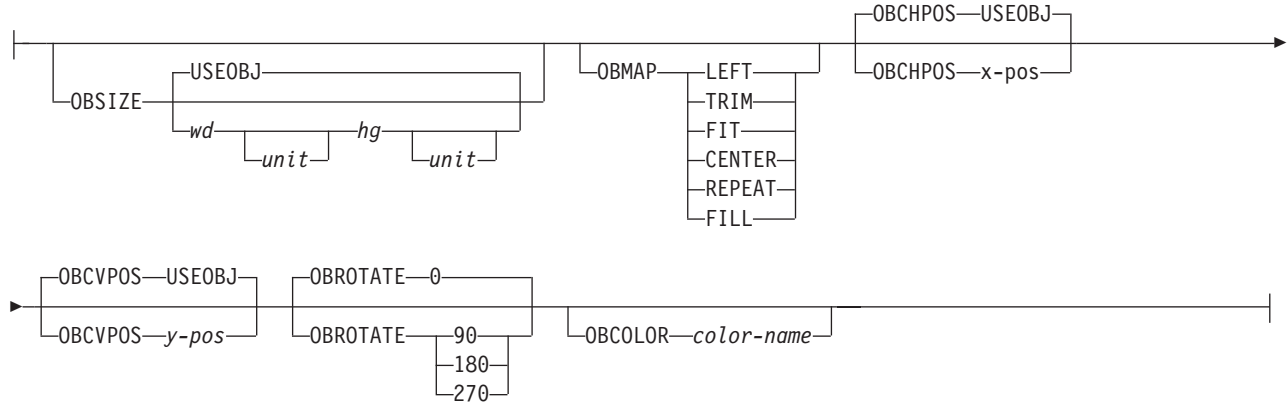
### LAYOUT Command (Record Format)



### VARIABLE Parameters:

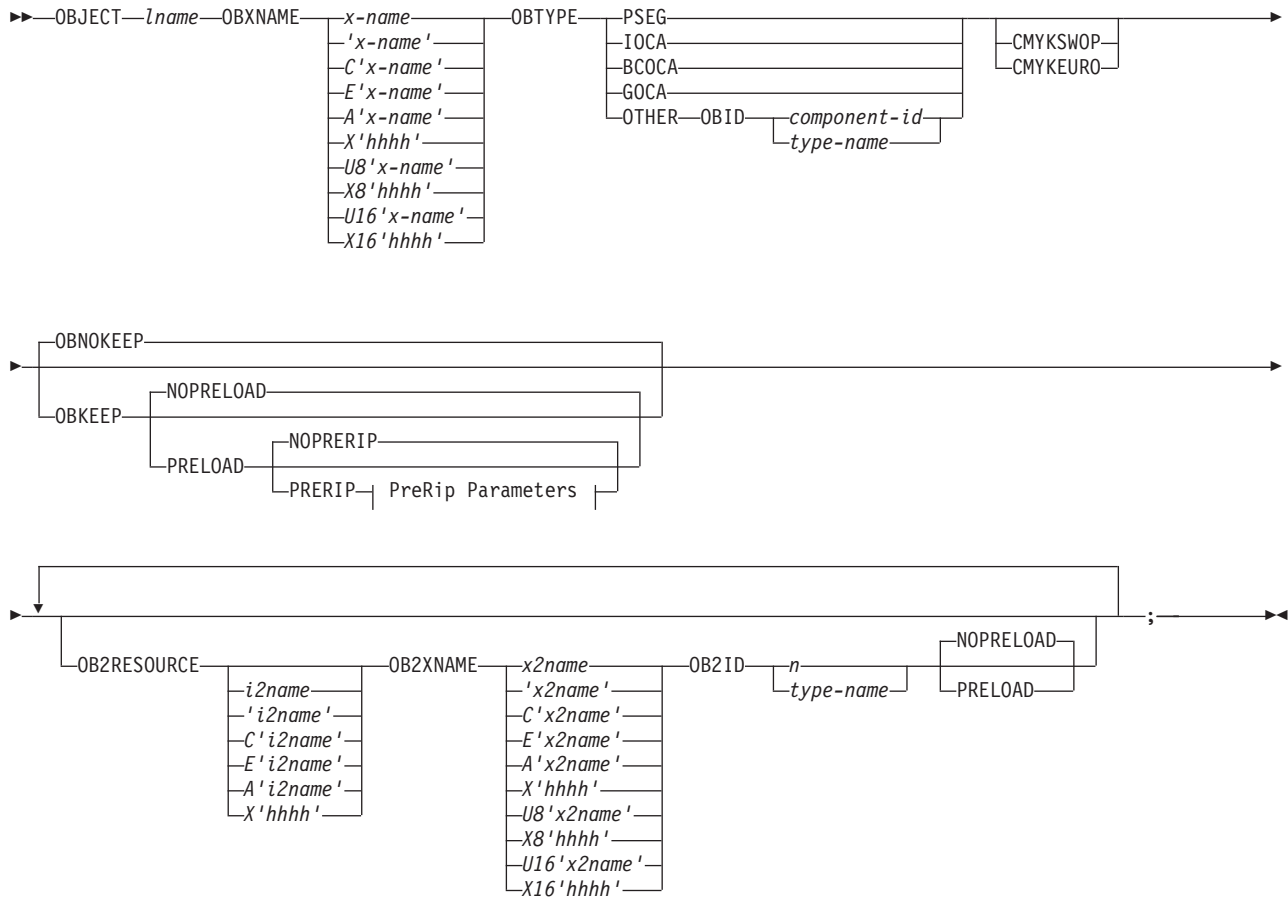


Other OBJECT Parameters:



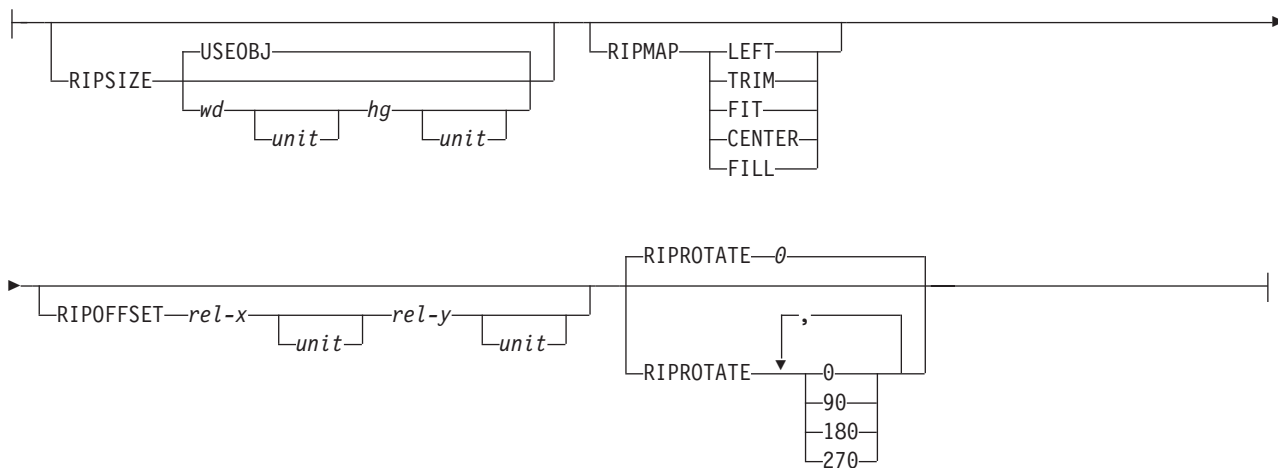
OBJECT Command (Record Format and XML)

OBJECT Command



PreRip Parameters:

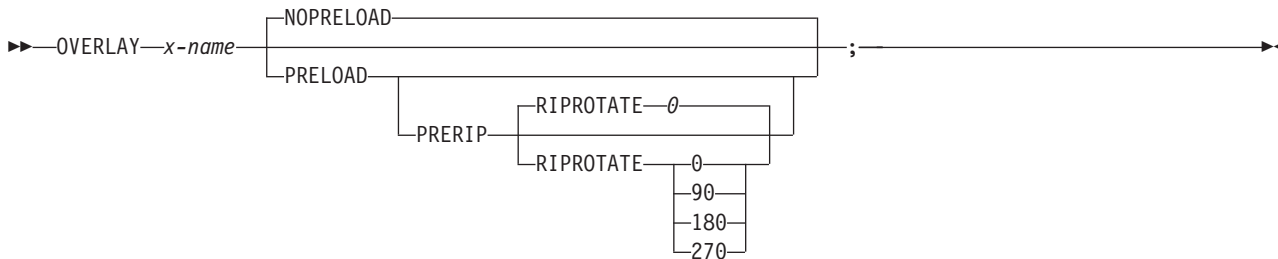
## Page Definition Command (Record Formatting and XML)



---

## OVERLAY Command (Record Format and XML)

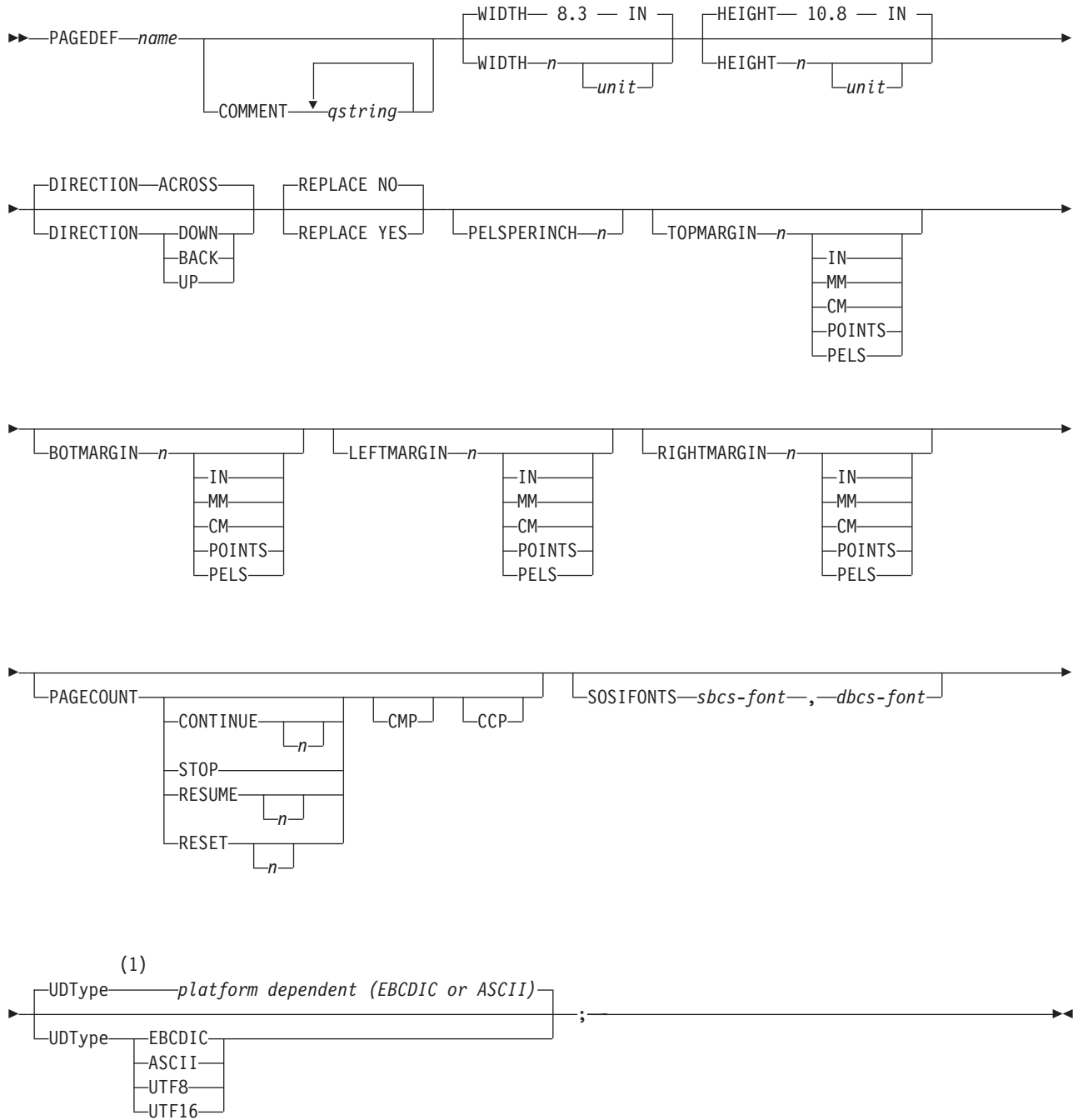
### OVERLAY Command





## PAGEDEF Command (Record Format and XML)

### PAGEDEF Command

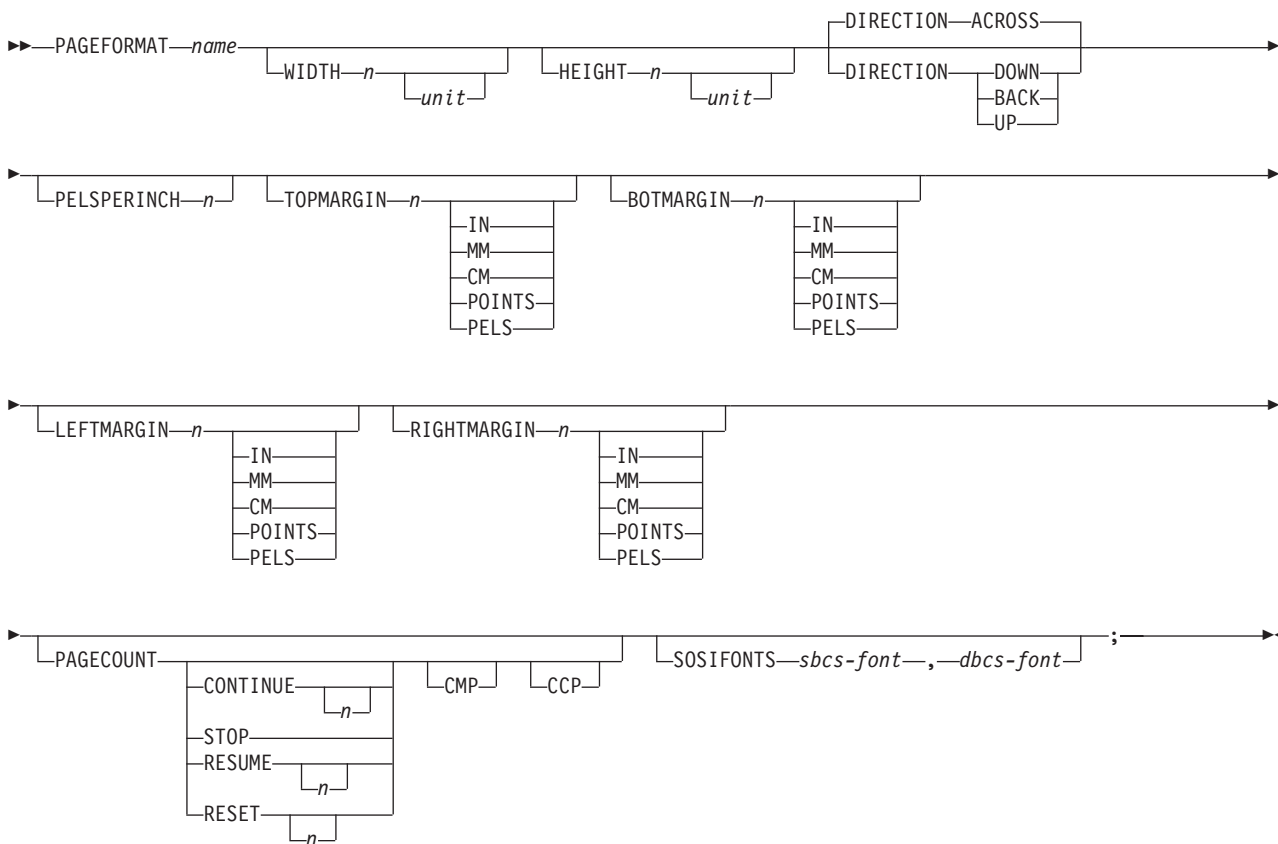


#### Notes:

- 1 UType is valid only as an XML page definition.

## PAGEFORMAT Command (Record Format and XML)

### PAGEFORMAT Command



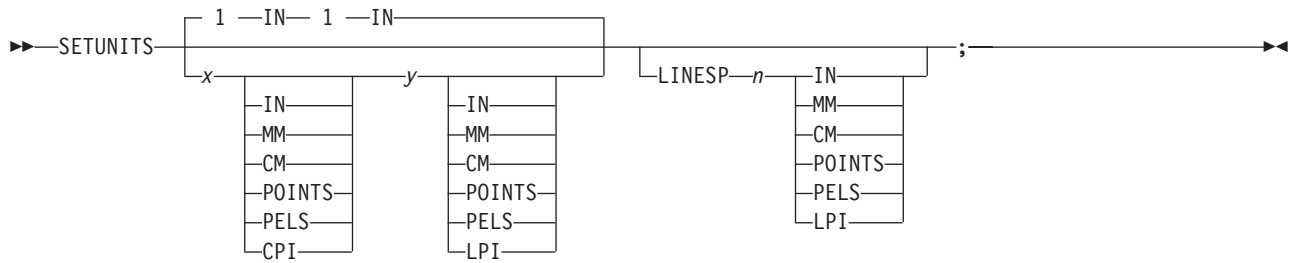
## SEGMENT Command (Record Format and XML)

### SEGMENT Command

▶▶—SEGMENT—*name*—;—▶▶

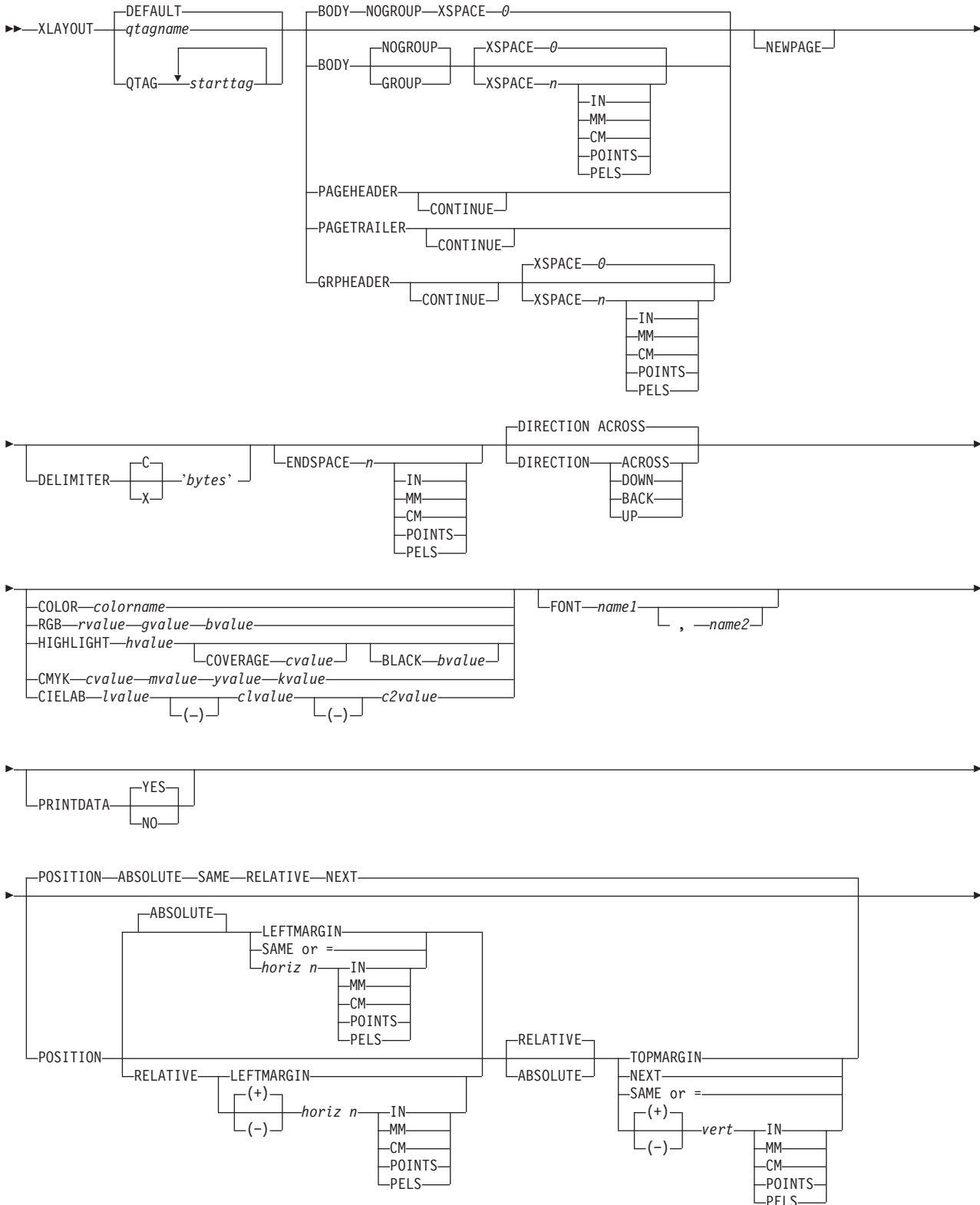
## SETUNITS Command (Record Format and XML)

### SETUNITS Command

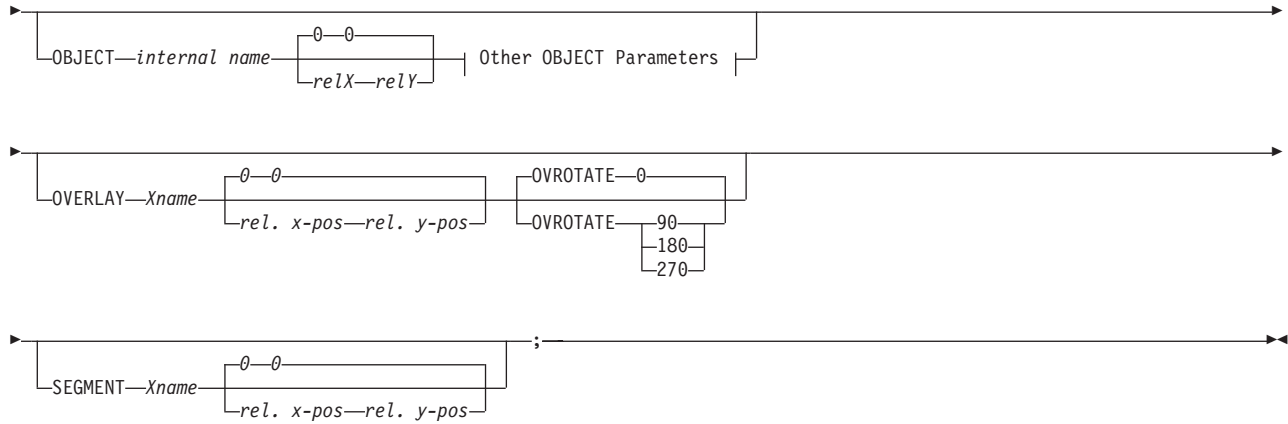


## XLAYOUT Command (XML)

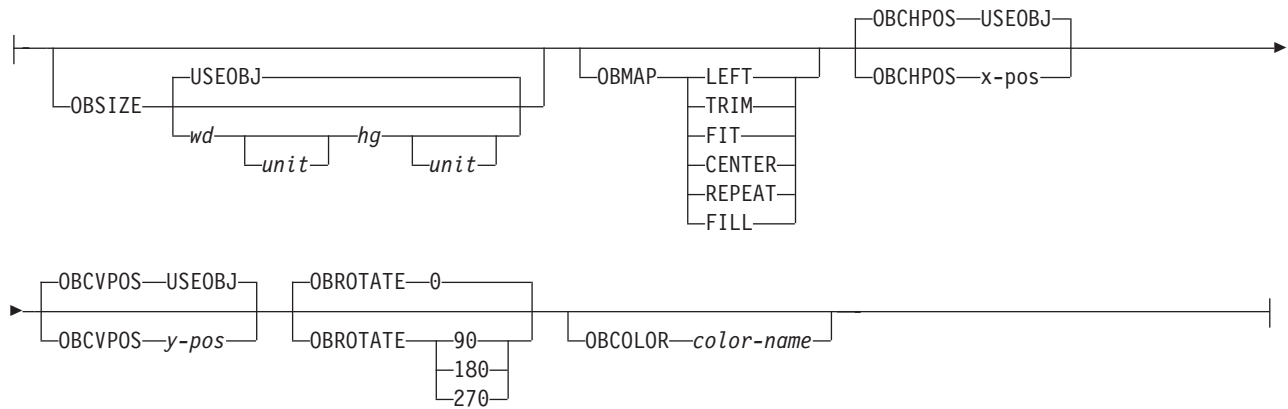
### XLAYOUT Command



## Page Definition Command (Record Formatting and XML)



### Other OBJECT Parameters:





---

## Notices

This information was developed for products and services offered in the U.S.A.

IBM® may not offer the products, services, or features discussed in this document in other countries. Consult your local IBM representative for information on the products and services currently available in your area. Any reference to an IBM product, program, or service is not intended to state or imply that only that IBM product, program, or service may be used. Any functionally equivalent product, program, or service that does not infringe any IBM intellectual property rights may be used instead. However, it is the user's responsibility to evaluate and verify the operation of any non-IBM product, program, or service.

IBM may have patents or pending patent applications covering subject matter described in this document. The furnishing of this document does not give you any license to these patents. You can send license inquiries, in writing, to:

IBM Director of Licensing  
IBM Corporation  
North Castle Drive  
Armonk, NY 10504-1785 U.S.A.

**The following paragraph does not apply to the United Kingdom or any other country where such provisions are inconsistent with local law:** INTERNATIONAL BUSINESS MACHINES CORPORATION PROVIDES THIS PUBLICATION "AS IS" WITHOUT WARRANTY OF ANY KIND, EITHER EXPRESS OR IMPLIED, INCLUDING, BUT NOT LIMITED TO, THE IMPLIED WARRANTIES OF NON-INFRINGEMENT, MERCHANTABILITY OR FITNESS FOR A PARTICULAR PURPOSE. Some states do not allow disclaimer of express or implied warranties in certain transactions, therefore, this statement may not apply to you.

This information could include technical inaccuracies or typographical errors. Changes are periodically made to the information herein; these changes will be incorporated in new editions of the publication. IBM may make improvements and/or changes in the product(s) described in this publication at any time without notice.

Any references in this information to non-IBM Web sites are provided for convenience only and do not in any manner serve as an endorsement of those Web sites. The materials at those Web sites are not part of the materials for this IBM product and use of those Web sites is at your own risk.

IBM may use or distribute any of the information you supply in any way it believes appropriate without incurring any obligation to you.

For license inquiries regarding double-byte (DBCS) information, contact the IBM Intellectual Property Department in your country or send inquiries, in writing, to:

IBM World Trade Asia Corporation  
Licensing  
2-31 Roppongi 3-chome, Minato-ku  
Tokyo 106, Japan

Licensees of this program who wish to have information about it for the purpose of enabling: (i) the exchange of information between independently created programs and other programs (including this one) and (ii) the mutual use of the information which has been exchanged, should contact:

IBM Corporation  
Department 11PA Building 002S  
PO Box 1900  
Boulder CO 80301 USA

Such information may be available, subject to appropriate terms and conditions, including in some cases, payment of a fee. The licensed program described in this document and all licensed material available for it are provided by IBM under terms of the IBM Customer Agreement, IBM International Program License Agreement or any equivalent agreement between us.

Any performance data contained herein was determined in a controlled environment. Therefore, the results obtained in other operating environments may vary significantly. Some measurements may have been made on development-level systems and there is no guarantee that these measurements will be the same on generally available systems. Furthermore, some measurement may have been estimated through extrapolation. Actual results may vary. Users of this document should verify the applicable data for their specific environment.

Information concerning non-IBM products was obtained from the suppliers of those products, their published announcements or other publicly available sources. IBM has not tested those products and cannot confirm the accuracy of performance, compatibility or any other claims related to non-IBM products. Questions on the capabilities of non-IBM products should be addressed to the suppliers of those products.

If you are viewing this information softcopy, the photographs and color illustrations may not appear.

For online versions of this book, we authorize you to:

- Copy, modify, and print the documentation contained on the media, for use within your enterprise, provided you reproduce the copyright notice, all warning statements, and other required statements on each copy or partial copy.
- Transfer the original unaltered copy of the documentation when you transfer the related IBM product (which may be either machines you own, or programs, if the program's license terms permit a transfer). You must, at the same time, destroy all other copies of the documentation.

You are responsible for payment of any taxes, including personal property taxes, resulting from this authorization.

Your failure to comply with the terms above terminates this authorization. Upon termination, you must destroy your machine readable documentation.

---

## Programming Interfaces

This publication includes documentation of intended Programming Interfaces that let the customer write programs to obtain the services of the Page Printer Formatting Aid (PPFA).

---

## Trademarks

The following terms appear in this publication and are either trademarks or registered trademarks of the IBM Corporation:

Advanced Function Common Control Unit  
Advanced Function Presentation  
Advanced Function Printing  
AFCCU  
AFP  
AIX  
AIX/6000  
OS/400  
Bar Code Object Content Architecture  
BCOCA  
IBM  
Infoprint®



Infoprint Server for OS/390®  
Intelligent Printer Data Stream  
IPDS  
Mixed Object Document Content Architecture  
MO:DCA  
PrintManager  
Print Services Facility  
PSF  
OS/400  
RISC System/6000  
S/370

The following terms appear in this publication and are trademarks of other companies:

- Windows and Windows NT are registered trademarks of the Microsoft Corporation.
- UNIX is a registered trademark of The Open Group in the United States and other countries.



---

# Readers' Comments — We'd Like to Hear from You

IBM Page Printer Formatting Aid:  
Command Quick Reference

Publication No. G544-3701-08

Overall, how satisfied are you with the information in this book?

	Very Satisfied	Satisfied	Neutral	Dissatisfied	Very Dissatisfied
Overall satisfaction	<input type="checkbox"/>	<input type="checkbox"/>	<input type="checkbox"/>	<input type="checkbox"/>	<input type="checkbox"/>

How satisfied are you that the information in this book is:

	Very Satisfied	Satisfied	Neutral	Dissatisfied	Very Dissatisfied
Accurate	<input type="checkbox"/>	<input type="checkbox"/>	<input type="checkbox"/>	<input type="checkbox"/>	<input type="checkbox"/>
Complete	<input type="checkbox"/>	<input type="checkbox"/>	<input type="checkbox"/>	<input type="checkbox"/>	<input type="checkbox"/>
Easy to find	<input type="checkbox"/>	<input type="checkbox"/>	<input type="checkbox"/>	<input type="checkbox"/>	<input type="checkbox"/>
Easy to understand	<input type="checkbox"/>	<input type="checkbox"/>	<input type="checkbox"/>	<input type="checkbox"/>	<input type="checkbox"/>
Well organized	<input type="checkbox"/>	<input type="checkbox"/>	<input type="checkbox"/>	<input type="checkbox"/>	<input type="checkbox"/>
Applicable to your tasks	<input type="checkbox"/>	<input type="checkbox"/>	<input type="checkbox"/>	<input type="checkbox"/>	<input type="checkbox"/>

Please tell us how we can improve this book:

Thank you for your responses. May we contact you?  Yes  No

When you send comments to IBM, you grant IBM a nonexclusive right to use or distribute your comments in any way it believes appropriate without incurring any obligation to you.

---

Name

---

Address

---

Company or Organization

---

Phone No.



Fold and Tape

Please do not staple

Fold and Tape



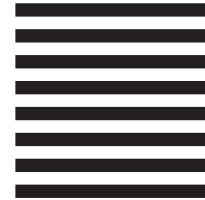
NO POSTAGE  
NECESSARY  
IF MAILED IN THE  
UNITED STATES

# BUSINESS REPLY MAIL

FIRST-CLASS MAIL PERMIT NO. 40 ARMONK, NEW YORK

POSTAGE WILL BE PAID BY ADDRESSEE

IBM Corporation  
Information Development  
Department H7FE, Building 004M  
Boulder, CO 80301-9817



Fold and Tape

Please do not staple

Fold and Tape





Program Number: 5688-190  
5765-E42  
5798-AF2  
5639-I27

Printed in USA

G544-3701-08

